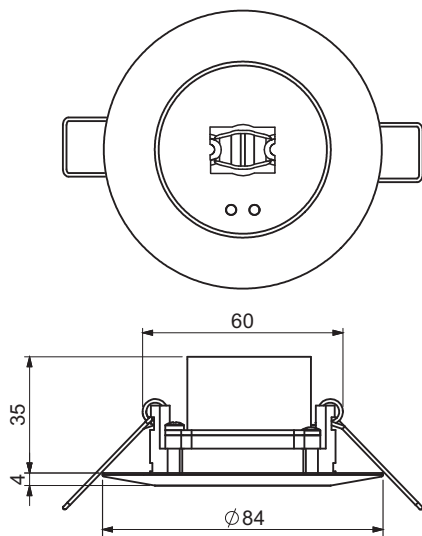




CE IP20, IP44*



Dimensions



OWA surface mounted



General purpose

Owa LED, equipped with LED light source, is a recessed highly efficient luminaire designed for emergency lighting. Its main task is to illuminate emergency escape routes, emergency escape exits and rooms in public facilities, work places, etc. It is compatible with all emergency lighting systems offered by Hybryd. Different versions available.

Additional information about emergency lighting luminaires - p. 24

Technical data

CATEGORY	LED
Power supply	230V 50Hz
Power consumption	< 7VA
Protection class	I
Protection degree	IP20, IP44*
Light source	Power LED ¹⁾
Light source power	3W
Minimal lighting flux	260 lm
Accumulator type	NiCd HT
Accumulator voltage	4,8V
Accumulator capacity	1,5Ah; 2,5Ah; 4,0Ah
Emergency work time	1h; 2h; 3h
Ambient temperature	+10°C ÷ +40°C
Accumulator lifespan	4 years
Light source lifespan	> 50.000h
Connector	4 x 0,5 ÷ 2,5 mm ² (main.) 3 x 0,5 ÷ 2,5 mm ² (non-main.)

¹⁾ - unchangeable light source

* - IP44 version also available while ordering

Casing

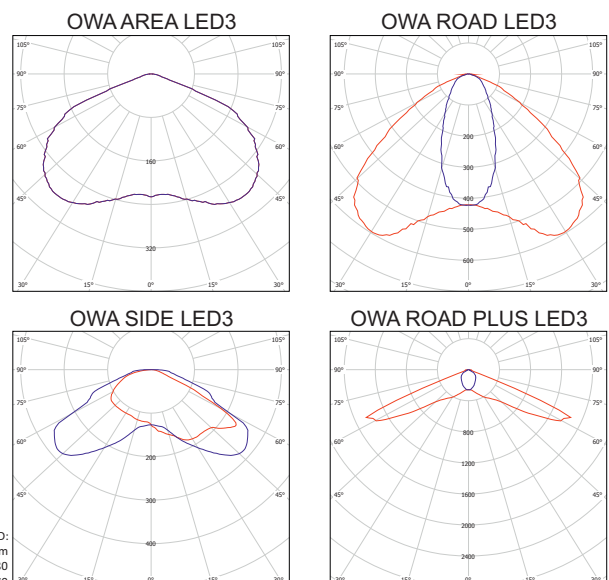
Body material: extruded aluminium

Casing colour: white, black, silver, different colours available

Available versions

Check final pages of this catalogue.

Light distribution diagrams



Luminaire	Execution	T _{aw} [h]	Work mode	Light source	Power [W]	Temperature range	Light colour	Casing colour
DL CEILINE II	AT	1	C	LED	7	T	L	E
DL	CT	2	J		12		R	F
DL SALVIA	CB	3			14		S	G
					18		H	
					19		K	
					20			
					25			
					26			
					28			
					32			

DOWNLIGHT LED

Example of creating a name: DL SALVIA AT 2J LED 14 R E

Light colour: L – cold white, R – warm white, S- neutral white

Casing colour: E – white, F – grey, G – black, H – silver, K - gold

Attention:

DL CEILINE II LED 32W - only white casing colour

DL SALVIA LED 14W, 19W, 28W - light colour warm white

DL SALVIA LED 12W, 18W, 26W - light colour neutral white

Luminaire	Photometric body type	Execution	T _{aw} [h]	Work mode	Light source	Power [W]	Casing colour (RAL code)
OWA	ROAD	AT	1	C	LED	3	□ 9003
	ROAD PLUS	CT	2	J		5 ¹⁾	■ 9005 ¹⁾
	AREA	TS	3	N		▒ 9006 ¹⁾	
	SIDE	CB					
	CB-MA						

OWA LED

Example of creating a name: OWA ROAD AT 2C LED3 9003

¹⁾ Luminaire 5W only available for performances CB i CB-MA.

Luminaire	Type of housing	Execution	T _{aw} [h]	Work mode	Light source	Power [W]	Casing colour (RAL code)
OWA ATOM	K	AT	1	C	LED	2	SAL ¹⁾
	O	CT	2	J			□ 9003 ¹⁾
		CB	3	N			■ 9005 ¹⁾
		CB-MA					▒ 9006 ¹⁾

Example of creating a name: OWA ATOM K CT 1C LED2 SAL

¹⁾ SAL - brushed Aluminium.

Luminaire	Type of housing	Execution	Power [W]	T _{aw} [h]	Work mode
SFERA	N	ST	1x18W	2	J
	P	AT	2x18W		
		CT	1x26W		
		CB	2x26W		
			1x32W		

SFERA

Example of creating a name: SFERA N CT 2x18W 2J

Luminaire	Type of housing	Execution	Power [W]	T _{aw} [h]	Work mode
SQUARE	N	ST	4x14W	2	J
	P	AT	4x18W		
		CT	2x36W		
		CB			

SQUARE

Example of creating a name: SQUARE P AT 4x18W 2J

Legend:

Photometric body type: see individual product data sheets.

Luminaire size:

Empty field – small

D – large.

Luminaire type or lamp cover:

N – surface mount

P – recessed

DW – luminaire two-sided or lamp cover two-sided.

Execution:

ST – standard

AT – autotest

CT – centraltest

TS – testsystem

CB – central battery,

CB-MA – central battery plus changeover module,

CB-MP – central battery plus addressing module,

CB-MAP – central battery plus changeover + addressing module .

T_{aw} [h] - emergency work time: CB is not defined.

Work mode:

C – non-maintained

J – maintained

N – night (only for CT).

Defined for ST, AT, CT, TS, CB-MA (luminaires LED) i CB-MAP (luminaires fluorescent).

Temperature range:

Empty field - standard temperature range

T – extended temperature range (see technical data) with thermostat H-323.

Casing colour: fields with "*" available - extended delivery time.

Versions - testing, monitoring

ST = Standard - emergency work test executed by turning off power supply

AT = Autotest - automatic and periodic test execution:

TEST A - lamp efficiency test, monthly;

TEST B - emergency work time measurement, annually;

CT = Centraltest - communication with the central unit or PC, full addressing of the luminaires, luminaires visualisation, system status reporting, many testing options, manual testing;

TS = Test System - communication with H-101TS central unit, many testing options, manual testing with the use of H-101TS central unit

CB = Central Battery - 220V DC power supply from central battery, built-in LED 220VDC ballast and LED module;

BU = Buffer Supply - luminaire adapted for 12-24V DC buffer feeders, built-in LED 12-24V DC ballast and LED module.

Functions

1. Automatic power supply switch: basic work/emergency work. (only ST, AT, CT and TS).
2. Luminaire and accumulator state indication (only ST, AT, CT and TS).
3. Supervision of 230V power supply voltage and accumulator condition (only ST, AT, CT and TS).
4. Deep accumulator discharge protection (only ST, AT, CT and TS).
5. Automatic test execution (only AT, CT and TS).
6. Light source work supervision.

Indication

The luminaire condition is indicated by LED. There is no LED indication during emergency mode:

Green - accumulator condition (only ST, AT, CT, TS)

Red - luminaire condition (only AT, CT, TS).

More details described in product manuals.

Lighting versions

Maintained (M) - basic lighting provided all the time (uses 230V); in case of power supply failure switches automatically into emergency mode (accumulator).

Non-maintained (NM) - standby mode as a standard (no lighting); in case of power supply failure switches automatically into emergency mode (accumulator).

Mounting types

							PROFIL
							CRYSTAL
						ALU	
						SPARK	
							PROFILIGHT
							OWA LED
KWADRA ORBIT LED		OWA ATOM LED			OWA POWER LED		
							KWADRA P
W131		KWADRA N			KWADRA P		
							PRYMAT DW
C101*				PRYMAT DW			
C105							
W121							
W122							
ACCESSORIES (ordered separately)							

* Strings or chains available on request.

¹⁾ Requires access to ceiling void.

²⁾ Only for ST, CB.

LEGEND

- CONSTANT CEILING
- SUSPENDED CEILING
- MODULAR CEILING