



## Continental



A series of professional floodlights 1000W and 2000W. Light source and control gear included (control gear outside luminaire).

**Materials:** aluminum housing, 5mm thick tempered glass, pure polished aluminum reflector

**Installation:** pole mounted

**Power:** 230 V

### ELECTRICAL DATA

Number of light sources	1
Type of equipment	VVG
Ingiter included	Yes

### MECHANICAL DATA

Type of installation	Pole mounted
Housing material	Aluminum

### INFROMATIONS

Color	Grey
-------	------

### CERTIFICATES

Degree of protection (IP)	IP65
Impact resistance	IK10
Class of protection	I
Light source protection	Yes
CE	Yes

### LIGHT DATA

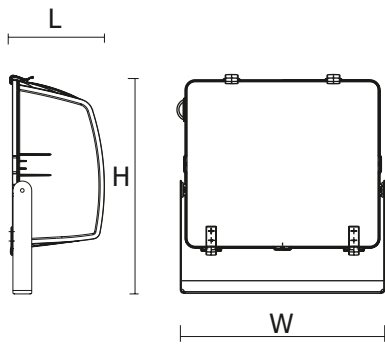
Light distribution	DI
--------------------	----

### OPTICAL DATA

Louver/shutter	SH
Diffuser color	None
Diffuser material	Transparent glass
Reflector	High gloss

### MATERIALS

Product code	Light source	Lamp holder	Light source power [W]	Voltage rating [V]	Info	Energy class	Weight [kg]
CL230133.110	HST	E40	1×1000	230	NAV-T 10,3A 230V	A+	31.66
CL230233.110	HIT	E40	1×1000	230	HQI-T D 9,5A 230V	A+	31.66
CL230333.110	HIT PH	E40	1×1000	230	HPI-T 8,2A 230V	-	30.26
CL230233.120	HIT	E40	1×2000	400	HQI-T/D 10,3A 400V	A+	37.05
CL230233.121	HIT	E40	1×2000	400	HQI-T/D/I 10,3A 400V	A+	37.05
CL230333.120	HIT	E40	1×2000	400	HPI-T 8,8A 400V	A+	36.91
CL231133.110	HST	E40	1×1000	230	NAV-T 10,3A 230V	A+	31.66
CL231233.110	HIT	E40	1×1000	230	HQI-T D 9,5A 230V	A+	31.66
CL231333.110	HIT PH	E40	1×1000	230	HPI-T 8,2A 230V	-	30.26
CL231233.120	HIT	E40	1×2000	400	HQI-T/D 10,3A 400V	A+	37.05
CL231233.121	HIT	E40	1×2000	400	HQI-T/D/I 10,3A 400V	A+	37.05
CL231333.120	HIT	E40	1×2000	400	HPI-T 8,8A 400V	A+	36.91
CL232233.110	HIT-DE	None	1×1000	230	HQI-TS 9,5A 230V	A	31.42
CL232233.120	HIT-DE	None	1×2000	400	HQI-TS 10,3A 400V	-	36.22



## DIMENSIONS

L [mm]	W [mm]	H [mm]
303	652	699

L = Length | W = Width | H = Height / Depth