

DALI PS1

DALI power supply for separate installation

Product description

- For supplying 200 mA for DALI devices or control modules without their own power supplies
- Surface-mounted casing
- 5-year guarantee



[Wiring diagrams and installation examples, page 3](#)



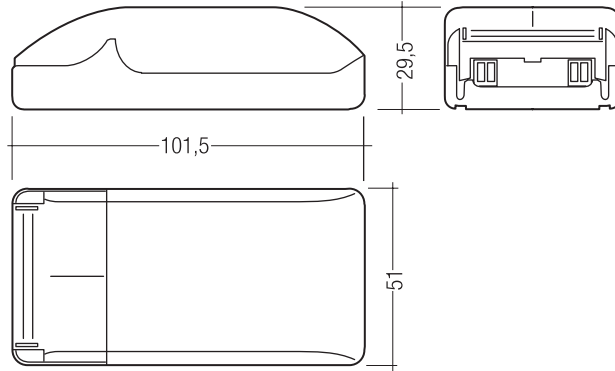


DALI PS1

DALI power supply for separate installation

Technical data

Rated supply voltage	230 – 240 V
Mains frequency	50 / 60 Hz
Power	4 W
Output	DALI
Max. output current, DALI	200 mA
Ambient temperature t_a	0 ... +50 °C
Type of protection	IP20



Ordering data

Type	Article number	Packaging, carton
DALI PS1	24034323	1 pc(s).

DALI standard

DALI PS1 is designed to supply control gear with DALI standard IEC 60929 (DALI V0) and IEC 62386 (DALI V1).

Glow-wire test

according to EN 60598-1 passed.

Functional description

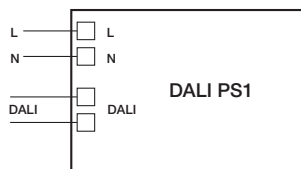
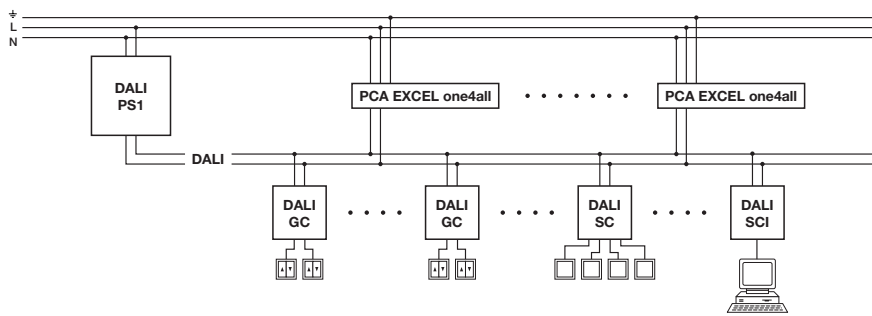
Central DALI power supply rated at 200 mA (DALI standard allows max. 250 mA)

The controls interface of a DALI ballast normally sources 2 mA, with 64 individual addresses this will source 128 mA. The remaining 72 mA can be used to power other DALI controls without an internal power supply such as the DALI GC and DALI SC.

Installation

- DALI signals are not SELV. Therefore the same procedures should be applied as working with mains voltage.
- Individual DALI circuits must not exceed 200 mA.
- The maximum cable length of the DALI signal wires must not exceed 300 m or drop more than 2 V on the signal line voltage.

Wiring



Circuit diagram