

Installation manual
CIRCLE



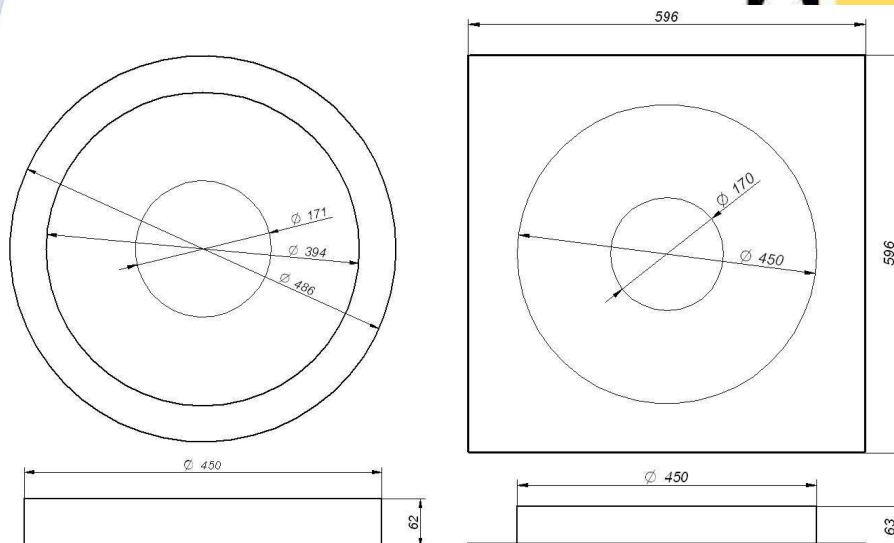
230V/50HZ

Power [W]	Ceiling	Weight [kg]
55 T5	G/K	3,0
40 LED	G/K	3,0
55 T5	600x600	4,2
40 LED	600x600	4,2

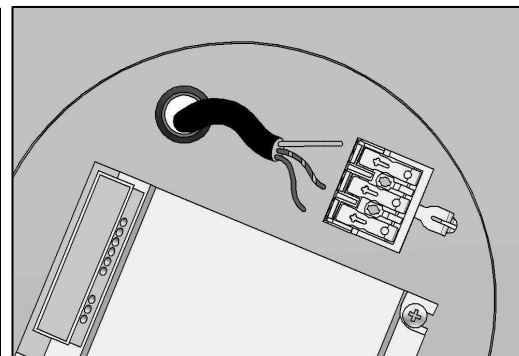
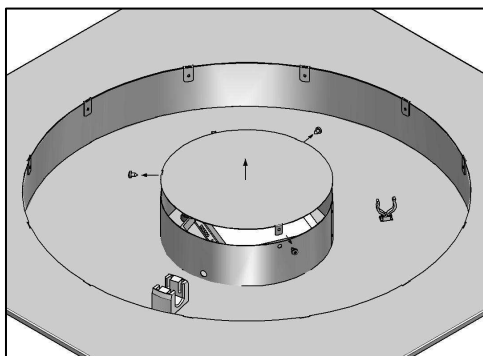
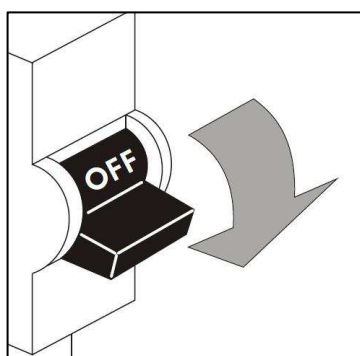


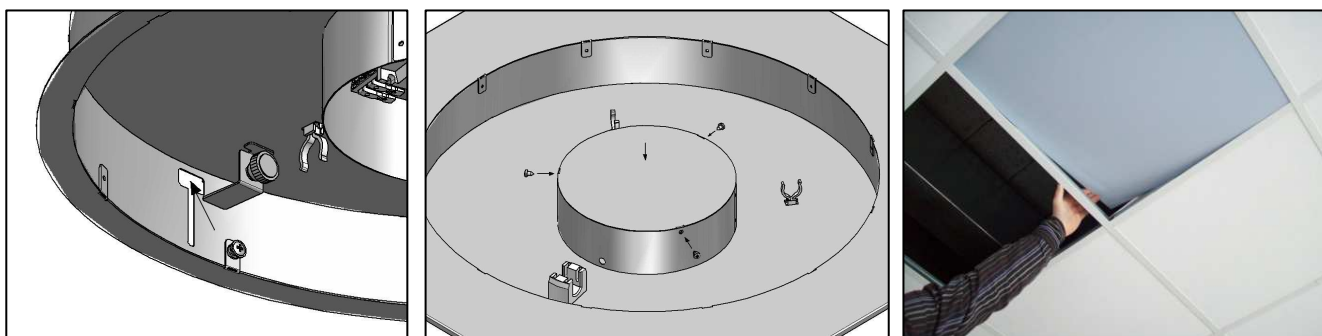
**Mounting hole dimensions
 for G/K (gypsum – plasterboard)
 ceiling - Ø465mm**

**NOTE:
 Height recessed LED version – 96mm**



- a) turn off the power in the circuit where you will install the luminaire;
- b) carefully take the luminaire out of box and put it on a stable surface;
- c) pull out the ring from frame, press both springs in the same time and take out the ring (for G/K version);
- d) unscrew three mounting screws and remove the middle cover
- e) pull the feeding cable through the hole in the back of a luminaire;
- f) put the mounting holder in and install the luminaire into the ceiling (for G/K version);
- g) connect the feeding wires as shown on a cube;
- h) put the middle cover on and secure it with three mounting screws;
- i) put the ring on (for G/K version);
- j) install the luminaire in ceiling.





Important warnings:

Do not install the luminaires in areas without an exchange of air.

The manufacturer cannot be considered liable for any damages deriving from improper, wrong and unreasonable use of the fitting.

Luminaires may be installed by qualified personnel only.

Any manipulation inside the luminaire when power supply is on causes the risk of electric shock.

Manufacturer is not responsible for any flaws resulting from not complying with recommendations included in this instruction manual.

Manufacturer reserves a right to change the construction of the product.

The European Directive 2002/96/EC on waste electrical and electronic equipment, requires that electric and electronic devices must be disposed of in the normal household waste. The crossed out wheeled bin is reproduced in order to remember obligations towards separately collection. For correct disposal, please use authorized waste disposal facilities or returned to the distributor at the date a new lighting fitting is purchased. Lamps, if disposed together with the lighting fitting, shall not be broken up since they contain substances which are highly polluting for the environment. Unauthorized disposal of the foregoing waste material is punishable by law.

