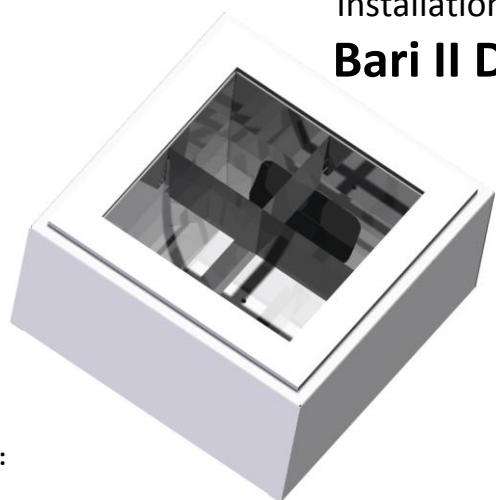


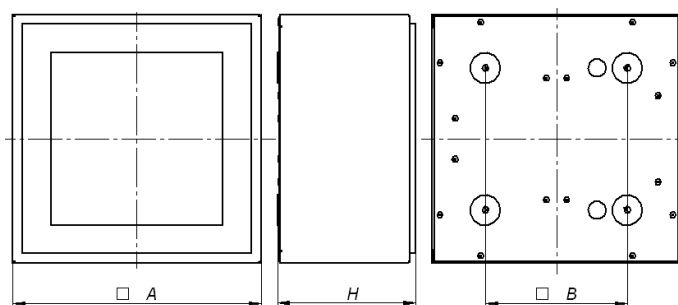
Installation manual Bari II DLK NT



230V/50Hz

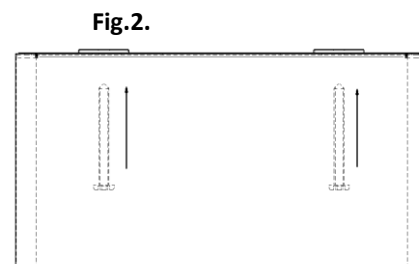
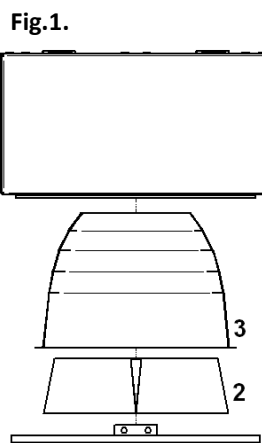
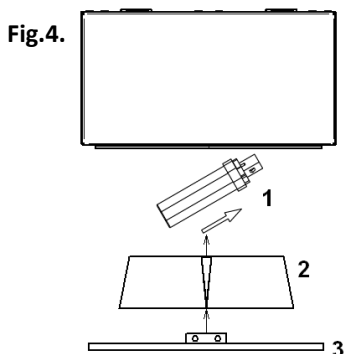
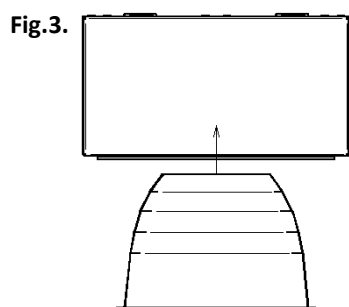
1. Dimensions:

Power [W]	A[mm]	B[mm]	H[mm]	Weight[kg]
1x18W	245	140	137	1,9
1x26W	245	140	137	1,9
2x18W	245	140	137	1,9
2x26W	245	140	137	1,9
2x32W	245	140	137	1,9



2. Installation:

- Remove the frame with glass and raster, remove the reflector from the luminaire as in Fig. 1.
- Attach luminaire to the ceiling with four screws and perform the electrical connection as in Fig. 2.
- Insert the reflector in luminaire and tighten the screw as Fig.3.
- Mount the light source, raster and frame as in Fig.4.



3. Important warnings:

- The manufacturer cannot be considered liable for any damages deriving from improper, wrong and unreasonable use of the fitting.
- Luminaires may be installed by qualified personnel only.
- Any manipulation inside the luminaire when power supply is on causes the risk of electric shock.
- Manufacturer is not responsible for any flaws caused by avoid using this manual.
- Manufacturer reserves a right to change the construction of the product.
- Do not assembly in places without air circulation.
- To guarantee safety of luminaire functions, please assembly according to instruction.



The European Directive 2002/96/EC on waste electrical and electronic equipment, requires that electric and electronic devices must be disposed of in the normal household waste. The crossed out wheeled bin is reproduced in order to remember obligations towards separately collection. For correct disposal, please use authorized waste disposal facilities or returned to the distributor at the date a new lighting fitting is purchased. Lamps, if disposed together with the lighting fitting, shall not be broken up since they contain substances which are highly polluting for the environment. Unauthorized disposal of the foregoing waste material is punishable by law. More details of directive available at: <http://www.gios.gov.pl>