

DALI DSI

Converter for DALI into DSI signals

Product description

- Converter for converting DALI signals into DSI signals
- For integrating DSI-based devices in DALI lighting control systems
- Rotary switch for assigning the group address for the DSI output
- 1 DSI output for a maximum of 5 DSI devices
- Power supply via DALI line
- 5-year guarantee



Wiring diagrams and installation examples, page 3



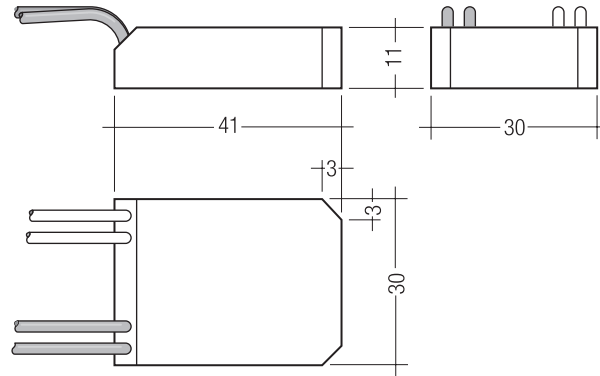


DALI DSI

Converter for DALI into DSI signals

Technical data

Supply via	DALI cable
Ambient temperature t_a	0 ... +50 °C
Type of protection	IP20



Ordering data

Type	Article number	Packaging, carton
DALI DSI	24034689	1 pc(s).

Specific technical data

Type	Inputs			Outputs	
	DALI control input	Current draw	Number of DALI addresses	Digital control line DSI	Control output per physical output (devices)
DALI DSI	1	16 mA from DALI	1	1	5

DALI standard

The DALI DSI is designed to control control gear with DALI standard IEC 60929 (DALI V0).

Glow-wire test

according to EN 60598-1 passed.

Functional description

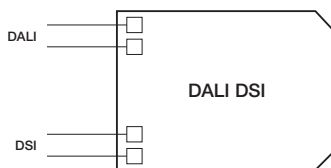
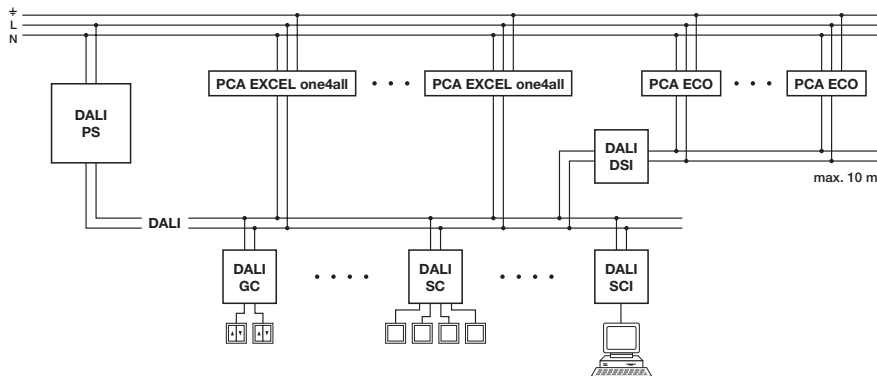
- The converter module converts DALI commands into DSI signal so that all DSI-based operating devices presently available, such as PCA ECO ballasts, TEL transformers or PHD phase dimmers, can be integrated in DALI lighting control systems.
- The DALI DSI operates whilst the programming mode equal to a PCA EXCEL one4all, i.e. the DALI DSI has its own address and can be assigned to groups and scenes.

Installation

- The DALI DSI can easily be installed into a luminaire or flush socket.
- The DALI DSI must not be connected to the mains. It is supplied directly via the DALI signal line.
- DALI signals are not SELV. Therefore the same procedures should be applied as working with mains voltage.

Note: No status feedback possible.

Wiring



Circuit diagram