



Achille LED



A drive-over recessed lighting luminaire with adjustable light angle; protection degree IP 67.

Materials: ring of stainless steel, housing made of black plastics; transparent, tempered glass, mat on the circumference with a load from 2000kg up to 3000kg (depending on the diameter of the lighting luminaire).

Installation: recessed

Power: 230 V

ELECTRICAL DATA

Light source	LED
Number of light sources	1
Type of equipment	AC
Voltage rating	230 V
Light source included	Yes

MECHANICAL DATA

Type of installation	For the ground
Housing material	Plastic / metal
Electrical track connection	No

INFROMATIONS

Color	Stainless steel
Rotated model	No

MATERIALS

Product code	Light source power [W]	Luminaire luminous flux [lm]	Beam angle [°]	Permissible load [kg]	Weight [kg]
IV149401	1×12	1500	14	2000	1.95
IV147900	1×18	2000	30	3000	5.60
IV148000	1×27	3400	30	3000	5.60

CERTIFICATES

Degree of protection (IP)	IP67
Impact resistance	IK10
Class of protection	II
Light source protection	Yes
CE	Yes
For ceiling installation, fire class "F" (L)	Yes

LIGHT DATA

Color rendering index	80
Color temperature	3000K
Light distribution	SM
Light distribution	DI

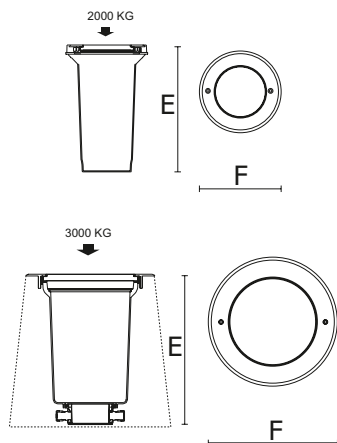
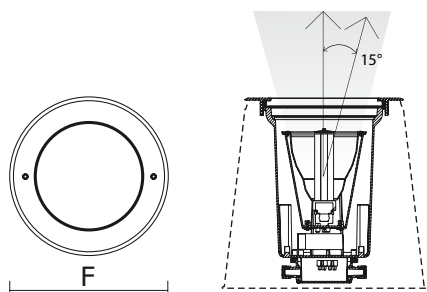
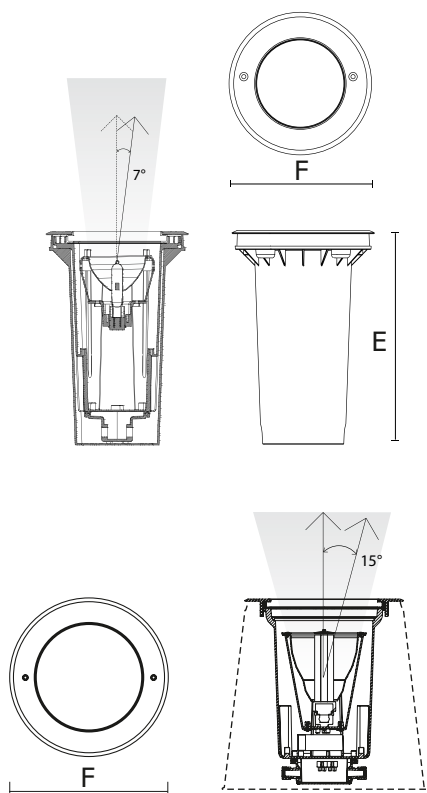
OPTICAL DATA

Diffuser material	Transparent glass
Reflector	High gloss

DIMENSIONS

Product code	H [mm]	F [mm]	G [mm]	E [mm]
IV149401	275	190	171	275
IV147900	365	320	300	365
IV148000	365	320	300	365

H = Height / Depth | F = Outer diameter | G = Inner diameter | E = Installation depth



ACCESSORIES

Installation elements

Achille 320 Mounting housing