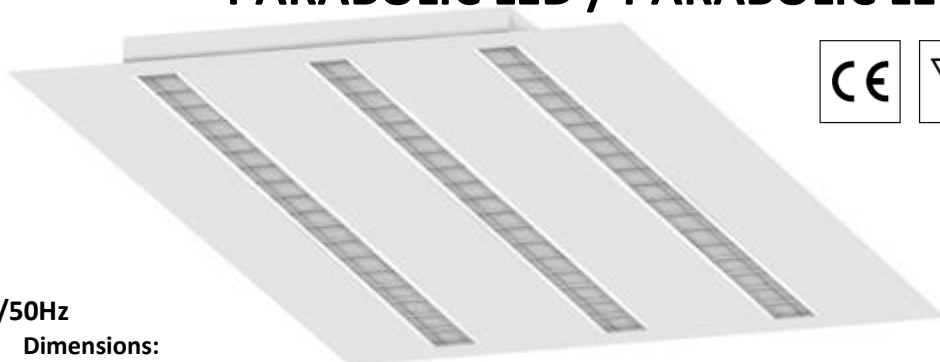


Installation manual

PARABOLIC LED / PARABOLIC LED NT



230V/50Hz

1. Dimensions:

a) PARABOLIC LED

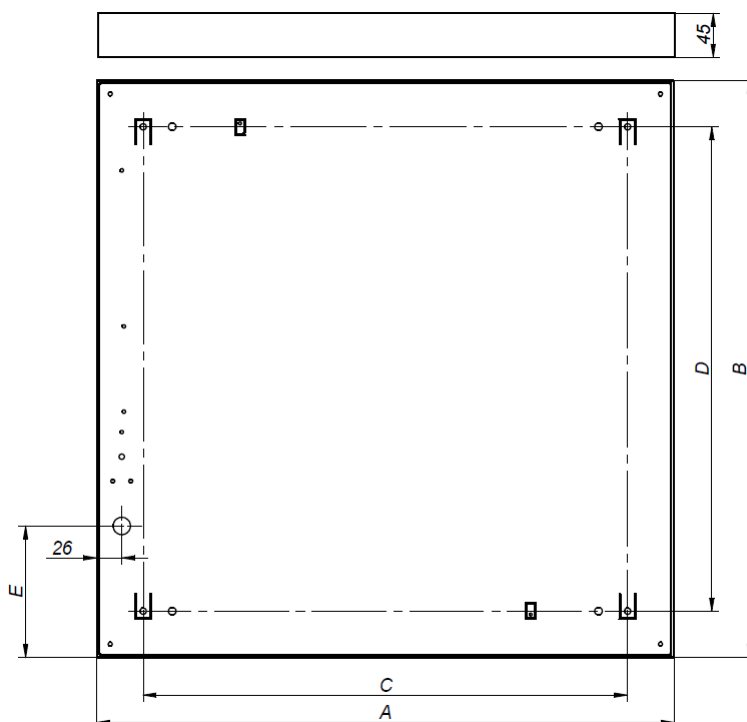
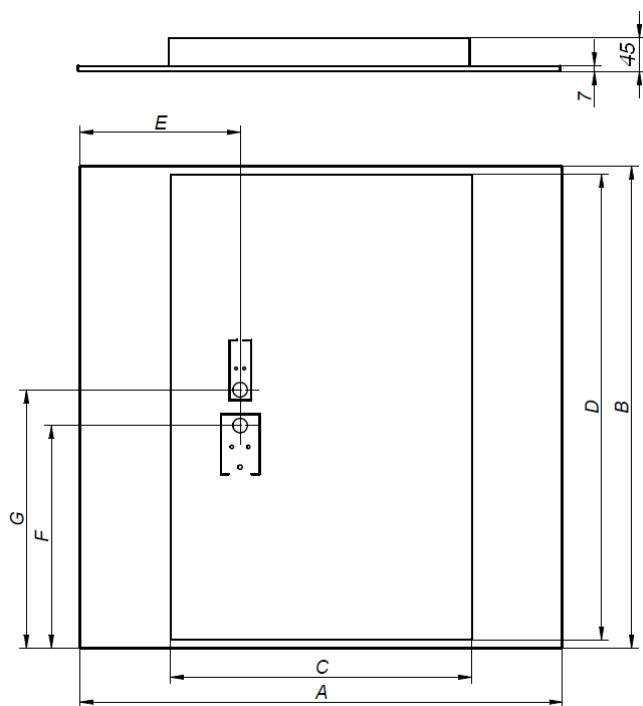
Power [W]	A[mm]	B[mm]	C[mm]	D[mm]	E[mm]	F[mm]	G[mm]	Weight[kg]
40W	596	596	385	575	198	275	320	5,0
27W	596	596	385	575	198	275	320	4,7
27W	1196	296	115	1115	198	575	620	4,7

b) PARABOLIC LED NT

Moc [W]	A[mm]	B[mm]	C[mm]	D[mm]	E[mm]	Waga[kg]
40W	596	596	500	500	135	6,5
27W	596	596	500	500	135	6,2
27W	1196	296	200	1000	135	6,2

PARABOLIC LED

PARABOLIC LED NT



2. Installation:

- a) Turn off the power in an electrical circuit which will be connected to the luminaire.
- b) Remove the frame – **WARNING** – frame mounted on magnets, in order to remove tight jerk frame and unhook the carabiners (only NT version).
- c) Carry out the power cable and attach luminaire by four screws as in Fig.1. (only NT version).
- d) Fold the flap the supply and place the power cable through the hole in the packing as in Fig.2. (not for NT version).
- e) Connect the power supply according to the markings on the connector as in Fig.3.
- f) Install luminaire into the ceiling (PARABOLIC LED).

Fig.1.

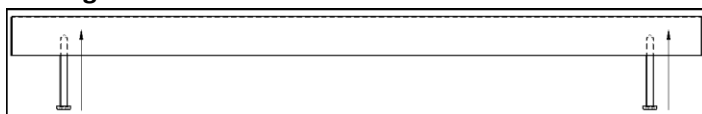


Fig.2.

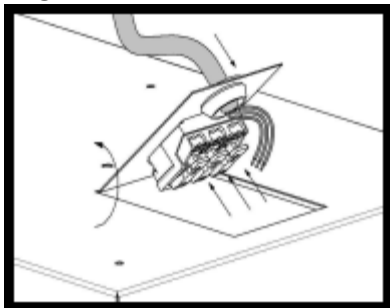
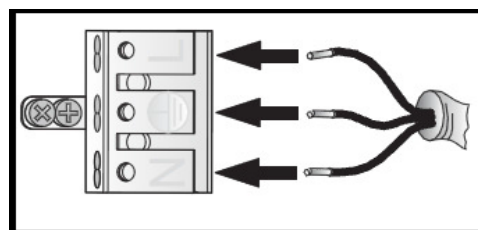


Fig.3.



3. Important warnings:

The manufacturer cannot be considered liable for any damages deriving from improper, wrong and unreasonable use of the fitting.

Luminaires may be installed by qualified personnel only.

Any manipulation inside the luminaire when power supply is on causes the risk of electric shock.

Manufacturer is not responsible for any flaws caused by avoid using this manual.

Manufacturer reserves a right to change the construction of the product.

Do not assembly in places without air circulation.

To guarantee safety of luminaire functions, please assembly according to instruction.



The European Directive 2002/96/EC on waste electrical and electronic equipment, requires that electric and electronic devices must be disposed of in the normal household waste. The crossed out wheeled bin is reproduced in order to remember obligations towards separately collection. For correct disposal, please use authorized waste disposal facilities or returned to the distributor at the date a new lighting fitting is purchased. Lamps, if disposed together with the lighting fitting, shall not be broken up since they contain substances which are highly polluting for the environment. Unauthorized disposal of the foregoing waste material is punishable by law. More details of directive available at: <http://www.gios.gov.pl>