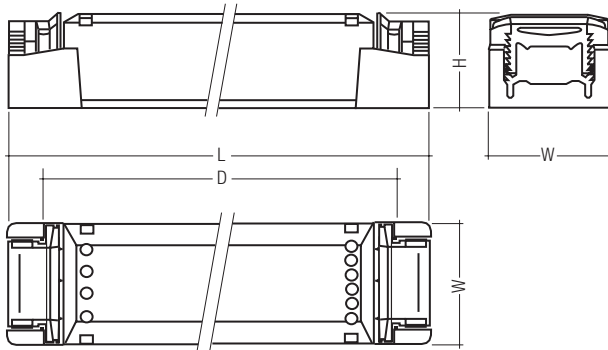


TALEXcontrol LED C004 PWM booster



- 3 channel PWM booster for RGB colour control of TALEX modules
- for 12V or 24V TALEX(module)/TALEX(strip)
- suitable for combination with TALEX control devices C001, C002, C003, K210, K211
- ideal suited for controlling LED objects with high system power (max. 2A/channel)
- control inputs galvanic separated from supply unit and output channels

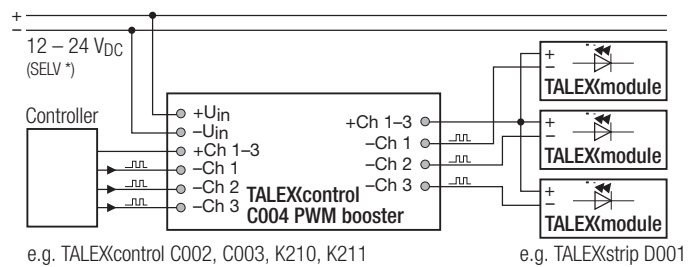
- control inputs protected against reversed polarity
- output channels protected against short-circuit and overload
- protection against overtemperature
- 6-pole screw terminal, primary
- 4-pole screw terminal, secondary
- integrated strain-relief and terminal cover
- tool-free assembly of strain-relief

Packaging:
box of 10

Designed according to:
EN 61347-1
EN 61347-2-13
EN 61547
EN 62384

type		LED C004	
article number		24138760	
supply	supply voltage U_{in}	V _{Dc}	12-24 (SELV ①)
	max. supply current	A	6
control inputs	number of control inputs	–	3xPWM galvanic isolated
	PWM control signal	V	12-24
	Stromaufnahme	mA	15/channel
	protection against reversed polarity	–	yes, reversible
output	number of output channels	–	3xPWM (RGB)
	output signal	–	3 x Ch 100 Hz – 1.2 kHz
	output voltage	V	12-24 (SELV ①)
	output current	A	max. 2/channel
	protection against overload	–	yes (2.8 A)
	short circuit protection	–	yes, reversible
ambient temperature t_a	°C	-25 → +45	
max. case temperature t_c	°C	70	
weight	kg	0.1	
dimensions LxWxH	mm	167 x 42 x 31	
fixing centres (D)	mm	143-148	

① SELV to be provided by the supply unit, e.g. TALEXconverter LED 0100 K240



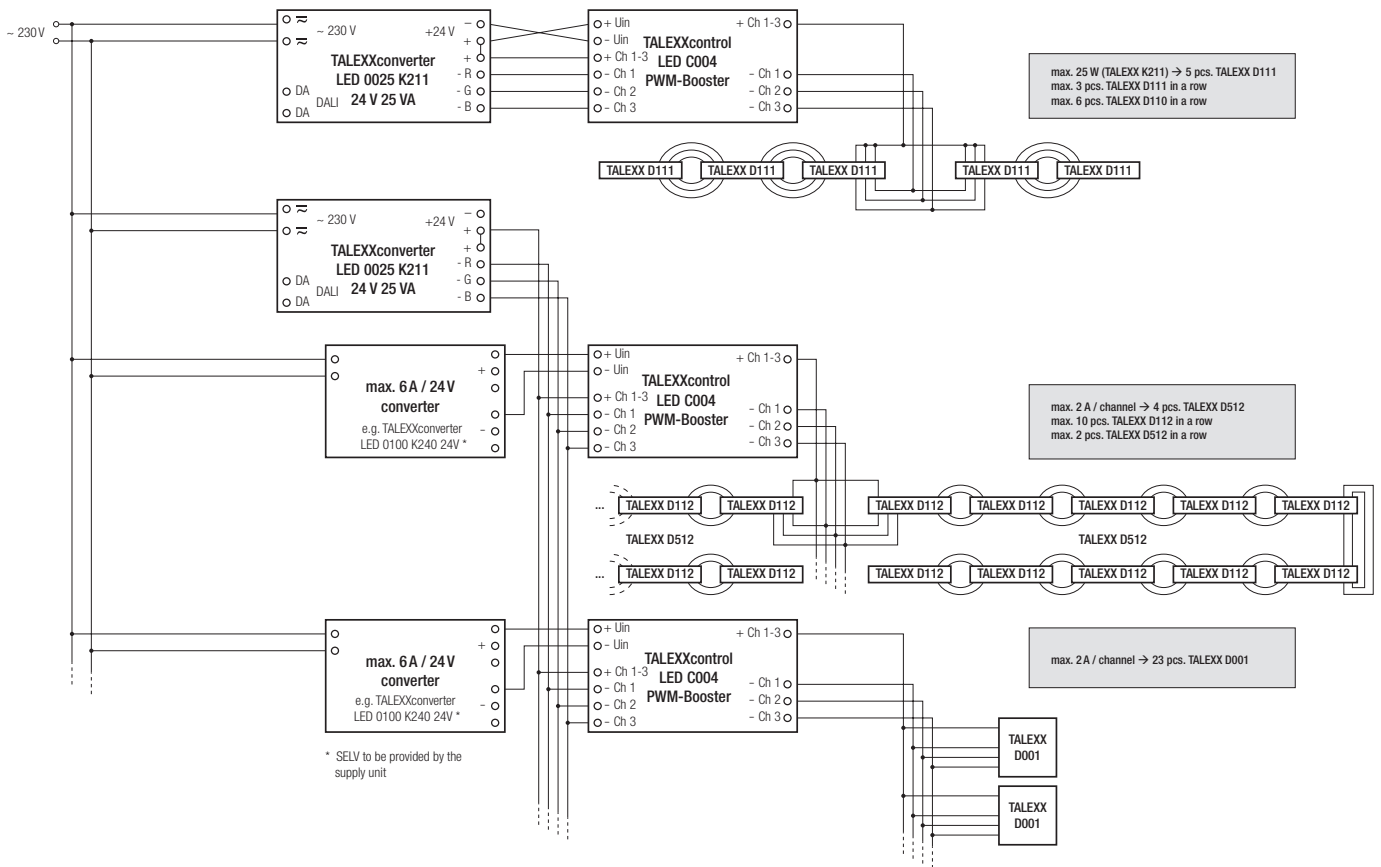
Combination TALEX control device with TALEXcontrol LED C004 PWM booster

TALEXcontrol	number of TALEXcontrol C004 PWM booster
C001	max. 120
C002	max. 120
C003	max. 40
K211	max. 15
K210	max. 45

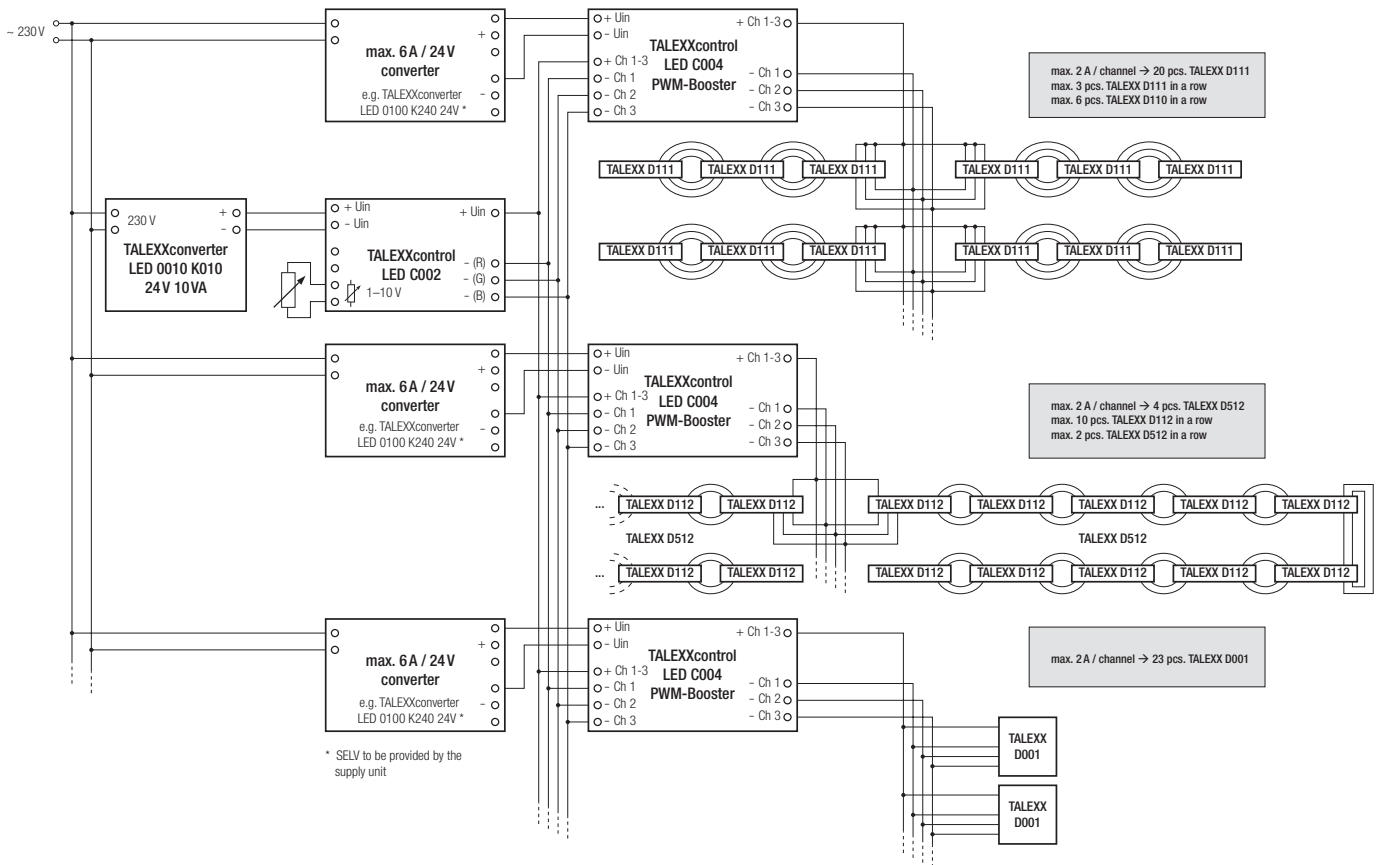
Max. number of modules on TALEXcontrol LED C004 (max. 2A/channel)

TALEXconverter	TALEX D001	TALEX D111	TALEX D112	TALEX D114	TALEX D511
K240 24V (100W)	23	33	28	20	–
K220 24V (25W)	5	8	7	5	–
K240 12V (100W)	–	–	–	–	2
K220 12V (25W)	–	–	–	–	1

DALI control unit TALEXconverter LED 0025 K211 with TALEXcontrol LED C004 PWM booster



Sequencer TALEXcontrol LED C002 with TALEXcontrol LED C004 PWM booster



Vone4all control unit TALEXconverter LED 0025 K210 with TALEXcontrol LED C004 PWM booster

