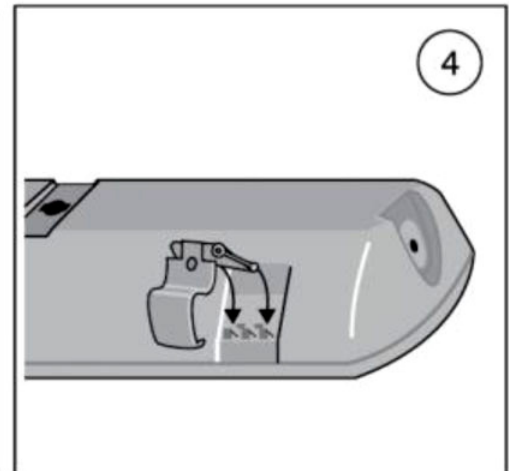
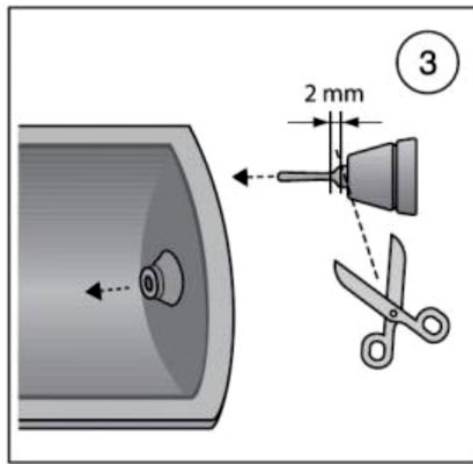
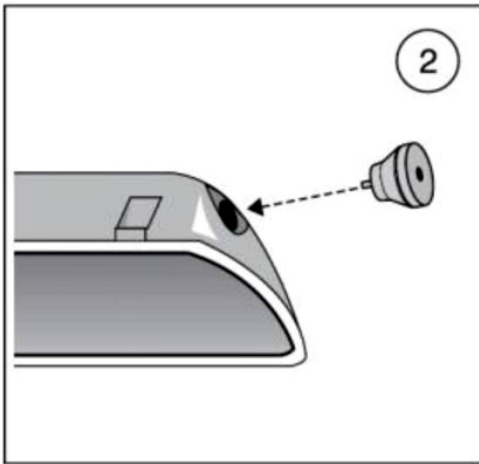
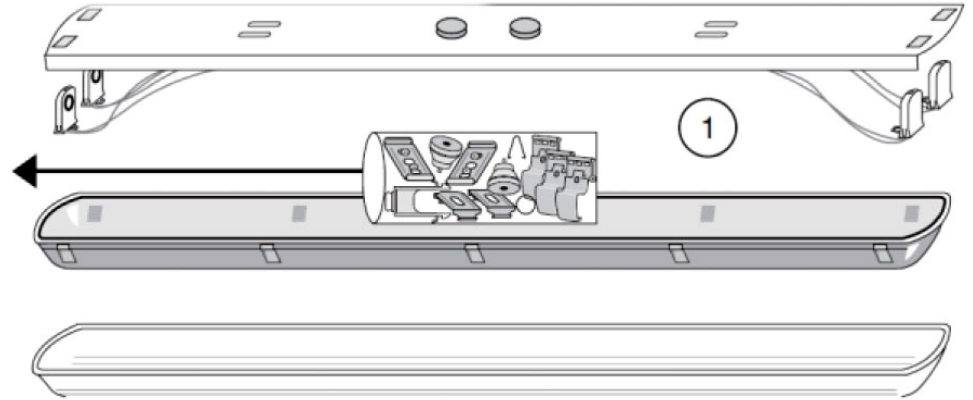
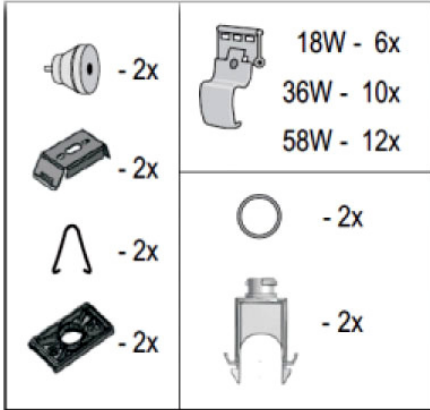
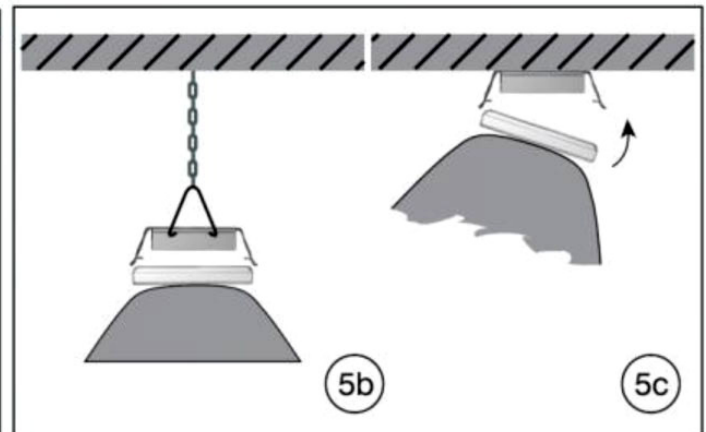
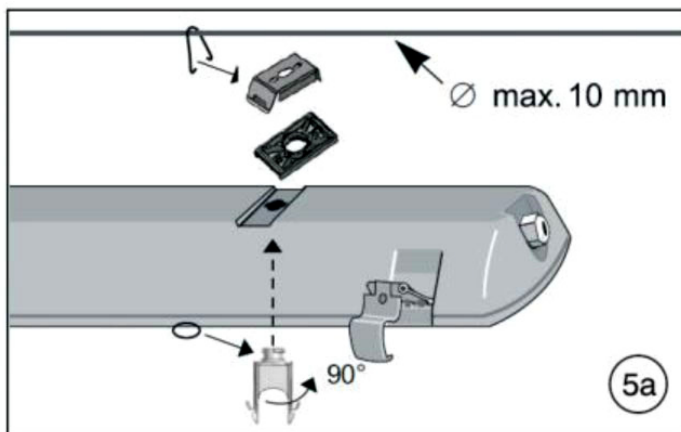


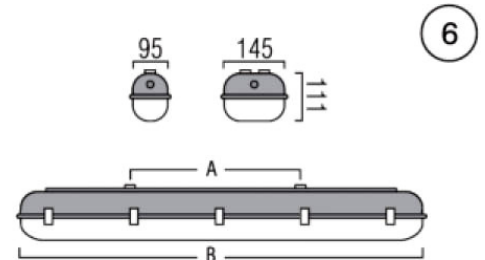
Installation manual
Fibra III

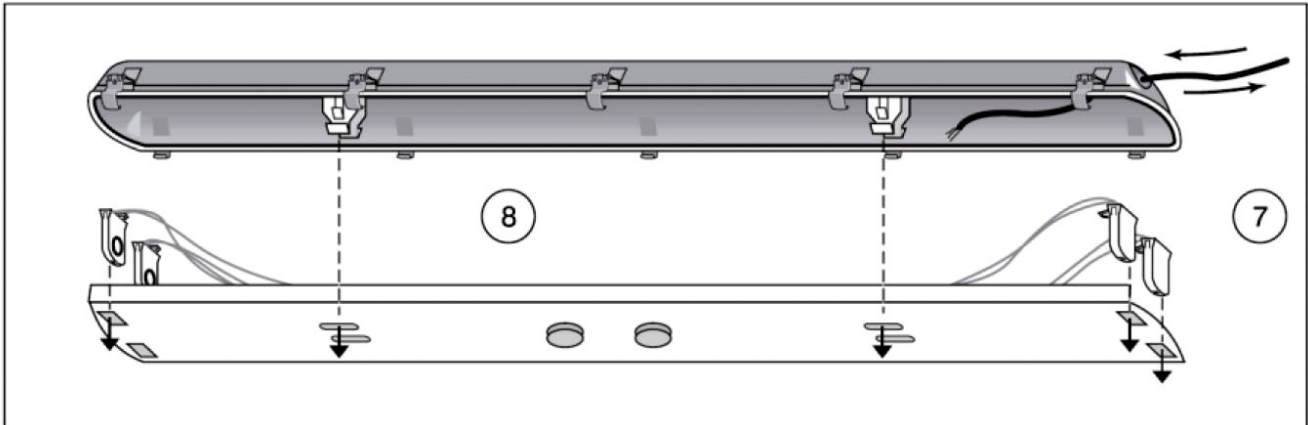


3* - in fixtures with powering cables exposed to position change (wind etc.) screwed gland must be used



T8	T5 HE	T5 H0	A	B
1 x 18	1 x 14	1 x 24	350	662
1 x 36	1 x 28	1 x 54	700	1272
1 x 58	1 x 35	1 x 80; 49	940	1572
2 x 18	2 x 14	2 x 24	350	662
2 x 36	2 x 28	2 x 54	700	1272
2 x 58	2 x 35	2 x 80; 49	940	1572





7* - only cables of round cross-section of maximal diameter 10 mm should be used

