



General purpose

ORBIT LED, equipped with LED light source, is a highly efficient luminaire design for emergency lighting. Its main task is to illuminate emergency escape routes, emergency escape exits and rooms in public facilities, work places, etc.

Using lenses "road plus" luminaire suspended at a height of 3m illuminates 11m escape route with the required intensity 1lx. Available mountings: directly on the ceiling.

Easy mounting and accumulators exchange enable universal application. It is adapted to work with systems ST, AT and CB, CB-MA, BU, BU-MA.

Technical data

CATEGORY	VALUE	
Power supply	230V 50-60Hz, 220V(CB), 24V(BU)	
Power consumption	<1,5VA	
Protection class	I, III(BU, BU-MA)	
Radio noise	Level N	
Protection degree	IP54	
Light source	LED Module ¹⁾	
Light source power	2W	
Luminous flux	ROAD	220 lm
	ROAD PLUS	
	SIDE	
	AREA	
Light source lifespan	>50.000h	
Emergency work time	1h; 2h; 3h	
Accumulator type	Ni-Cd HT	
Accumulator capacity [Ah]	1,0Ah-2,5Ah	
Accumulator voltage	4,8V	
Recharging time	24h	
Ambient temperature	+10°C - +35°C	
Connector	0,5 - 2,5mm ²	

¹⁾ - unchangeable light source

Casing

Body material: plastic

Casing colour: white

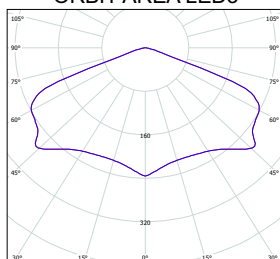
Different colours available

Available versions

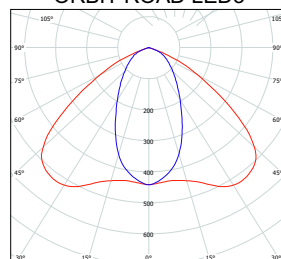
Check final pages of this catalogue.

Light distribution diagrams

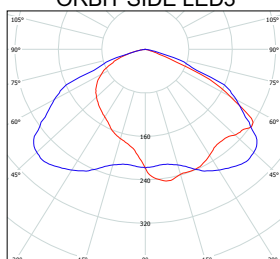
ORBIT AREA LED3



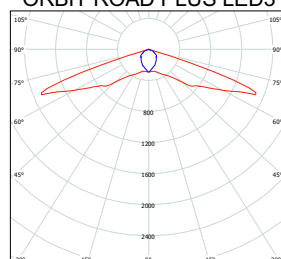
ORBIT ROAD LED3



ORBIT SIDE LED3



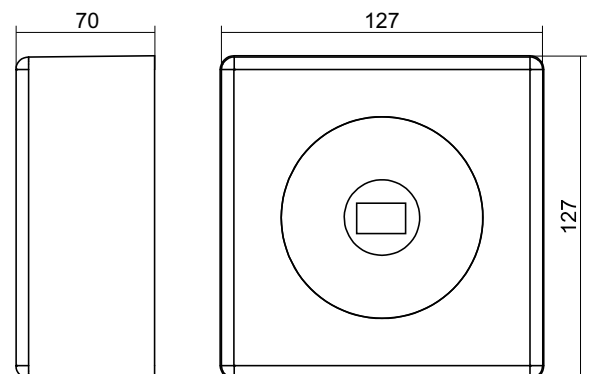
ORBIT ROAD PLUS LED3



LEGEND:
cd/klm
— C0 - C180
— C90 - C270



Dimensions





Emergency lighting luminaire - versions for ordering

ORBIT LED

Luminaire	Photometric body type	Execution	T _{aw} [h]	Work mode	Light source	Power [W]	Casing colour ¹⁾
ORBIT	ROAD	ST	1	C	LED	2	
	ROAD PLUS	AT	2	J			
	AREA	CB	3				
	SIDE	CB-MA					
		BU					
	BU-MA						

Example of creating a name: ORBIT AREA AT 2C LED2

¹⁾ Standard luminaire in white colour