



Achille



A drive-over recessed luminaire with adjustable light angle; protection degree IP 67.

Materials: ring made of Inox steel, half matt diffuser made of polycarbonate, black plastic housing, transparent diffuser made of tempered glass with compressive strength up to 2000-3000kg (depending on diameter)

Installation: recessed

Power: 230 V

ELECTRICAL DATA

Number of light sources	1
Voltage rating	230 V

MECHANICAL DATA

Type of installation	Recessed
Housing material	Stainless steel

INFROMATIONS

Color	Stainless steel
-------	-----------------

CERTIFICATES

Degree of protection (IP)	IP67
Impact resistance	IK10
Class of protection	II
Light source protection	Yes
CE	Yes

LIGHT DATA

Light distribution	DI
--------------------	----

OPTICAL DATA

Louver/shutter	SH
Diffuser color	None
Diffuser material	Transparent glass
Reflector	High gloss

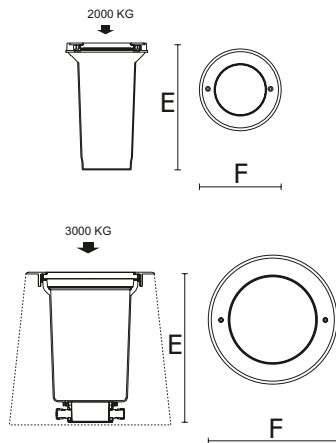
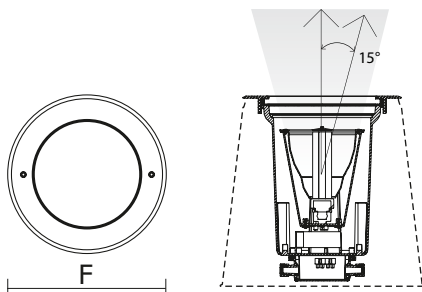
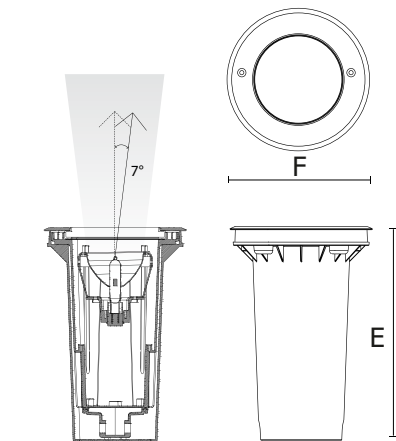
MATERIALS

Product code	Light source	Lamp holder	Light source power [W]	Type of equipment	Light source included	Energy class	Weight [kg]
IV149100	CDM-TC	G8,5	1×35	EVG	No	A+	2.25
IV149200	CDM-TM	PGJ5	1×20	EVG	No	A+	2.10
IV148600	HIT-DE	RX7s	1×70	VVG	No	A	7.10
IV148400	HIT	G12	1×70	VVG	No	A+	7.20
IV148700	HIT	G12	1×70	EVG	No	A+	7.20
IV148500	HIT	G12	1×150	VVG	No	A+	8.00
IV148200	TC-TEL	GX24q-4	1×42	EVG	Yes	-	5.60

DIMENSIONS

Product code	F [mm]	E [mm]
IV149100	190	275
IV149200	190	275
IV148600	320	361
IV148400	320	361
IV148700	320	361
IV148500	320	361
IV148200	320	361

F = Outer diameter | E = Installation depth



ACCESSORIES

Installation elements

Achille 320 Mounting housing