

Installation manual OS LED IP65

Installation manual:

1. Please cut off the electrical source before installation.
2. Please preserve some room and dissipation hole (diameter 73mm) for fixture installation and heat dissipation.
3. Take off the out trim, fix the bracket on the shadow, then connector the power as signed on the power cube.
4. Fix the fitting on the ceiling with the spring as Fig 2.

230-240V/50Hz

Important warnings:

The manufacturer cannot be considered liable for any damages deriving from improper, wrong and unreasonable use of the fitting.

Luminaries may be installed by qualified personnel only.

Any manipulation inside the luminaire when power supply is on causes the risk of electric shock.



Manufacturer is not responsible for any flaws caused by avoid using this manual.

Manufacturer reserves a right to change the construction of the product.

Do not assembly in places without air circulation.

To guarantee safety of fixture functions, please assembly according to instruction.

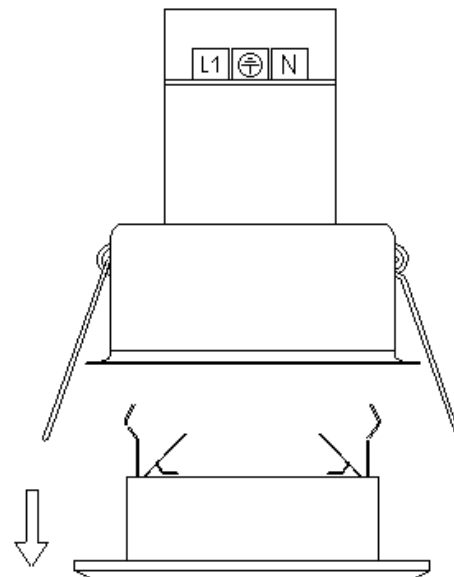
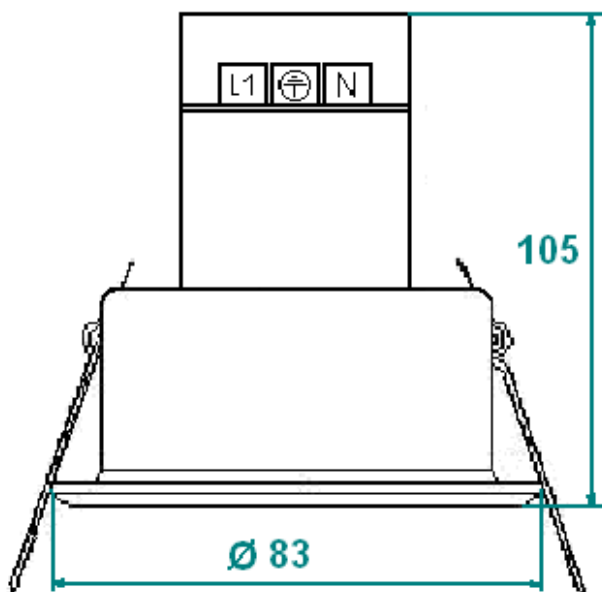


Fig.1

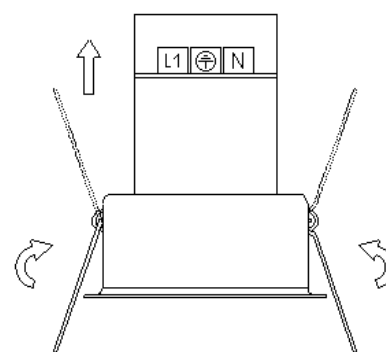
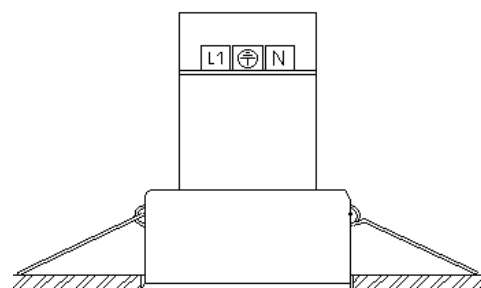


Fig.2

The European Directive 2002/96/EC on waste electrical and electronic equipment, requires that electric and electronic devices must be disposed of in the normal household waste. The crossed out wheeled bin is reproduced in order to remember obligations towards separately collection. For correct disposal, please use authorized waste disposal facilities or returned to the distributor at the date a new lighting fitting is purchased. Lamps, if disposed together with the lighting fitting, shall not be broken up since they contain substances which are highly polluting for the environment. Unauthorized disposal of the foregoing waste material is punishable by law. More details of directive available at: <http://www.gios.gov.pl>

