

Installation manual

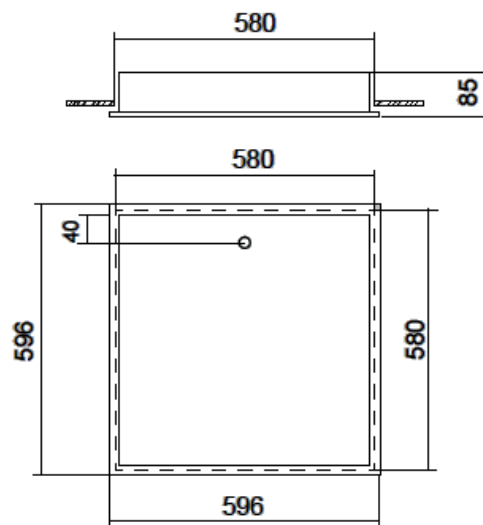
Tauri



230V/50HZ T5

1. Dimensions

Power	Weight
4x14/24W	3kg



2. Assembly

a) carefully take luminaire out of box and put it on a stable surface (floor or table)

b) connecting the power supply:

- using gloves carefully take lamp screen and reflector out of a luminaire
- put the power supply cable through the hole in the base of a luminaire and connect the wires as it's shown on a cube

c) ceiling mounting

- luminaire is designed to g/k or dropped ceiling

G/K version:

- ends of the spring should be putted in to mounting holes
- block springs inside a luminaire with T shaped metal elements

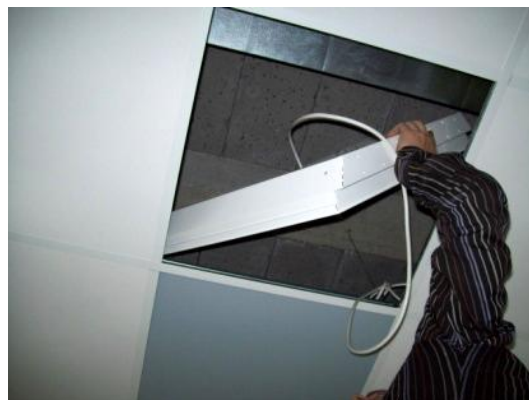
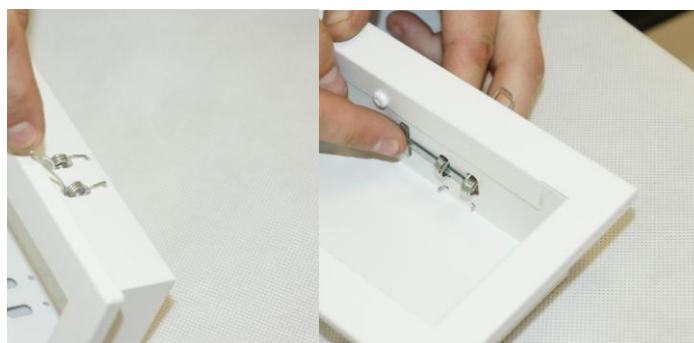
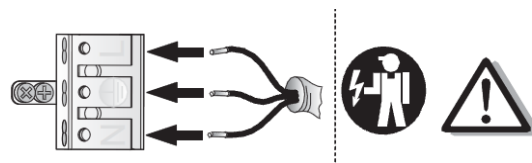
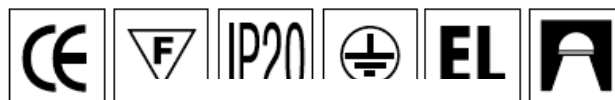
Dropped ceiling version:

- put luminaire through block next to chosen for mounting
- put luminaire evenly on the rack
- place wires in the way that won't distract ceiling assembly

d) mounting the light source:

- slip the fluorescent lamps of proper power in to luminaire and delicately push it in to the socket
- turn the fluorescent lights by 90 degrees

e) put the reflector in to luminaire and louvers on lamps



3. Important warnings:

Do not install the luminaires in areas without an exchange of air.

The manufacturer cannot be considered liable for any damages deriving from improper, wrong and unreasonable use of the fitting.

Luminaries may be installed by qualified personnel only.

Any manipulation inside the luminary when power supply is on causes the risk of electric shock.

Manufacturer is not responsible for any flaws resulting from not complying with recommendations included in this instruction manual.

Manufacturer reserves a right to change the construction of the product.



The European Directive 2002/96/EC on waste electrical and electronic equipment, requires that electric and electronic devices must be disposed of in the normal household waste. The crossed out wheeled bin is reproduced in order to remember obligations towards separately collection. For correct disposal, please use authorized waste disposal facilities or returned to the distributor at the date a new lighting fitting is purchased. Lamps, if disposed together with the lighting fitting, shall not be broken up since they contain substances which are highly polluting for the environment. Unauthorized disposal of the foregoing waste material is punishable by law.

