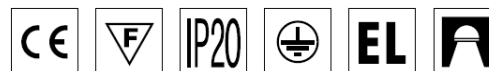


Installation manual

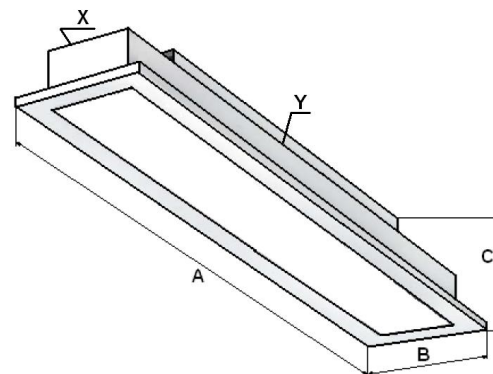
**LINEA**



230V/50Hz T5

1. Dimensions:

Power [W]	A[mm]	B[mm]	C[mm]	Weight[kg]	Mounting hole dimension X [mm]	Mounting hole dimension Y [mm]
1x14/24	597	111	77	1,1	83	583
1x21/39	897	111	77	1,4	83	883
1x28/54	1197	111	77	1,8	83	1183
1x35/49/80	1497	111	77	2,1	83	1483
2x14/24	597	182	77	1,3	157	583
2x21/39	897	182	77	1,7	157	883
2x28/54	1197	182	77	2,2	157	1183
2x35/49/80	1497	182	77	2,6	157	1483



2. Installation:

- Remove the frame (only opal diffuser version) - NOTE - frame mounted on magnets, in order to remove hard jerk frame and unhook the carabiner clip.
- Remove the louver luminaire necessarily using gloves (raster version only).
- Connect the power supply according to the markings on the ankle as in Fig.1.
- Install in the ceiling luminaire by inserting and tightening the screw clamp
- in order to determine the housing as in Fig.2.
- Install the appropriate power of the light source.
- Install the frame (only opal diffuser version).



Fig.1.

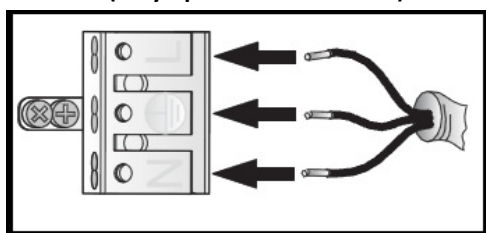
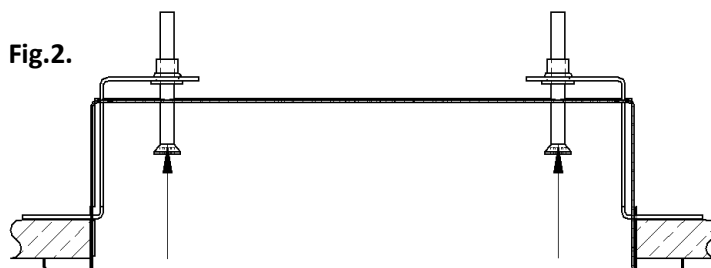


Fig.2.



3. Important warnings:

The manufacturer cannot be considered liable for any damages deriving from improper, wrong and unreasonable use of the fitting.

Luminaires may be installed by qualified personnel only.

Any manipulation inside the luminaire when power supply is on causes the risk of electric shock.

Manufacturer is not responsible for any flaws caused by avoid using this manual.

Manufacturer reserves a right to change the construction of the product.

Do not assembly in places without air circulation.

To guarantee safety of luminaire functions, please assembly according to instruction.



The European Directive 2002/96/EC on waste electrical and electronic equipment, requires that electric and electronic devices must be disposed of in the normal household waste. The crossed out wheeled bin is reproduced in order to remember obligations towards separately collection. For correct disposal, please use authorized waste disposal facilities or returned to the distributor at the date a new lighting fitting is purchased. Lamps, if disposed together with the lighting fitting, shall not be broken up since they contain substances which are highly polluting for the environment. Unauthorized disposal of the foregoing waste material is punishable by law. More details of directive available at: <http://www.gios.gov.pl>