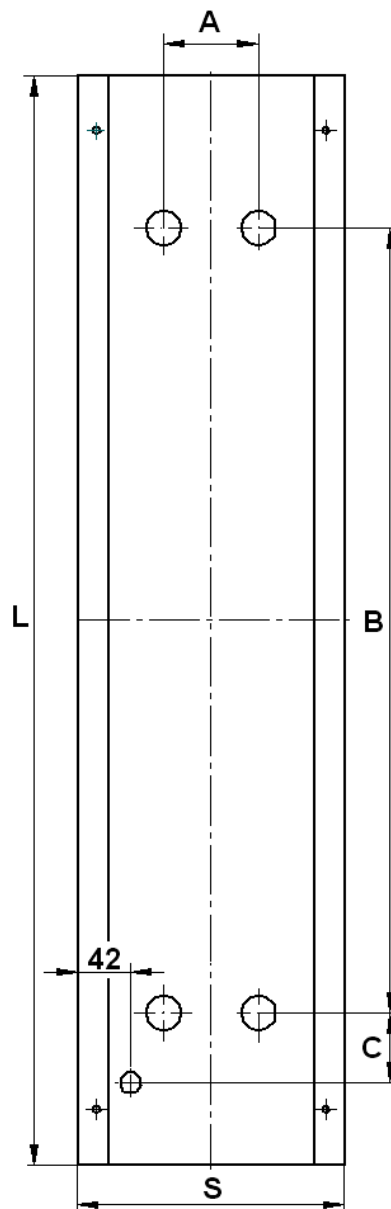


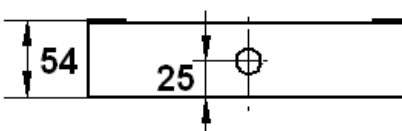
Installation manual
 Presto NT



230V/50HZ T5

1. Dimensions and mounting holes

Power [W]	A	B	C	S	L
1x14/24	-	410	40	152	630
1x21/39	-	658	66	152	930
1x28/54	-	959	66	152	1230
1x35/49/80	-	1197	97	152	1530
2x14/24	115	410	40	228	630
2x21/39	115	658	66	228	930
2x28/54	115	959	66	228	1230
2x35/49/80	115	1197	97	228	1530



2. Assembly

a) carefully take luminaire out of box and put it on a stable surface (floor or table)

b) using gloves carefully take lamp screen and reflector out of a luminaire

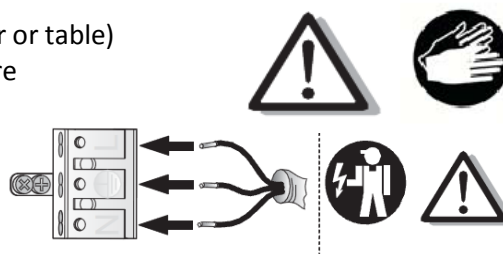
c) connecting the power supply:

- put the power supply cable through the hole in the base of a luminaire and connect the wires as it's shown on a cube

d) screw luminaire on to ceiling placing dowels as shown on picture above

e) in case of mounting Presto Spot luminaire the following spacer kit should be used: alloy sleeve, extended screwdriver, dowel screw and washer.

Mounting scheme is shown on the next side.



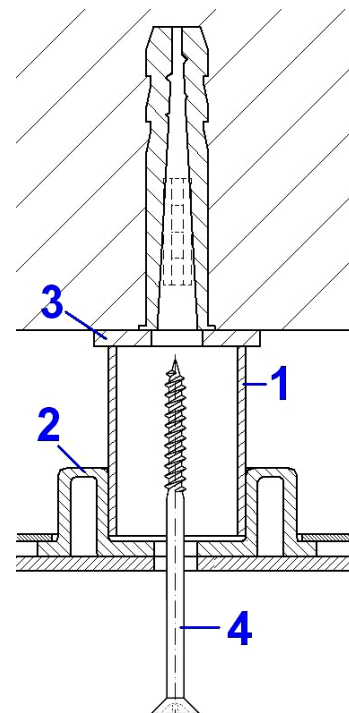
- put alloy sleeves (1) into luminaire's mounting sleeves (2)
- put washers (3) between ceiling and alloy sleeves
- tighten the screw (4)

f) mounting the light source:

- slip the fluorescent lamps of proper power in to luminaire and delicately push it into the socket
- turn the fluorescent lights by 90 degrees

g) put grounding cable on a lamps screen

h) put the louver or OPAL plate back in to luminaire



3. Important warnings:

Do not install the luminaires in areas without an exchange of air.

The manufacturer cannot be considered liable for any damages deriving from improper, wrong and unreasonable use of the fitting.

Luminaries may be installed by qualified personnel only.

Any manipulation inside the luminaire when power supply is on causes the risk of electric shock.

Manufacturer is not responsible for any flaws resulting from not complying with recommendations included in this instruction manual.

Manufacturer reserves a right to change the construction of the product.



The European Directive 2002/96/EC on waste electrical and electronic equipment, requires that electric and electronic devices must be disposed of in the normal household waste. The crossed out wheeled bin is reproduced in order to remember obligations towards separately collection. For correct disposal, please use authorized waste disposal facilities or returned to the distributor at the date a new lighting fitting is purchased. Lamps, if disposed together with the lighting fitting, shall not be broken up since they contain substances which are highly polluting for the environment. Unauthorized disposal of the foregoing waste material is punishable by law.

