



EM powerLED SELFTEST 1 – 2 W

Combined emergency lighting LED Driver 1 – 4 W

Product description

- Emergency lighting LED Driver with self-test function
- SELV for output voltage < 60 V DC
- Low profile casing (21 x 30 mm cross-section)
- 5-year guarantee

Properties

- Mains and emergency operation
- Self-test as per IEC 62034
- Constant current mode
- With either screw or clip fastening (clip-fix)
- 1, 2 or 3 h rated duration
- Selectable operating time (jumper)
- Output power limitation
- Two-colour status display LED
- „Rest mode“ function
- Simple set-up
- Automatic restart after LED replacement
- Electronic multi-level charge system
- SELV (outputs powerLED, battery, status LED, test switch)
- Polarity reversal protection for battery
- Deep discharge protection
- Very low energy consumption from the battery after activation of the deep discharge protection
- Short-circuit-proof battery connection
- Emergency lighting LEDs available
- Self-test:
 - Status of the battery
 - Status of the LED
 - Charge condition
 - Function test
 - Life-time test

Batteries

- High-temperature cells: 2 Ah
- NiMH batteries
- Cs cells
- 4-year design life
- 1-year guarantee

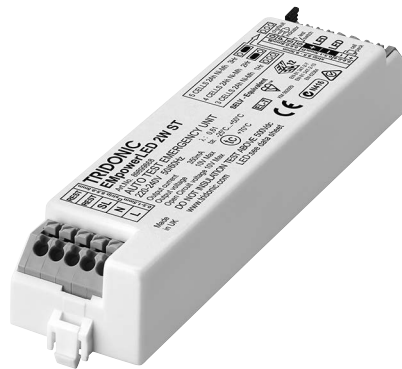


Standards, page 5

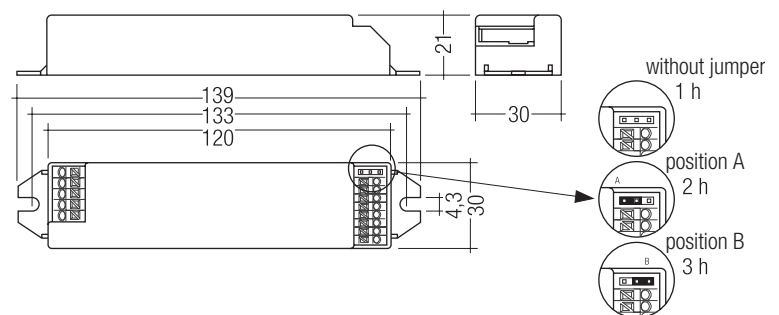
For wiring diagrams and installation examples, page 8 and 9



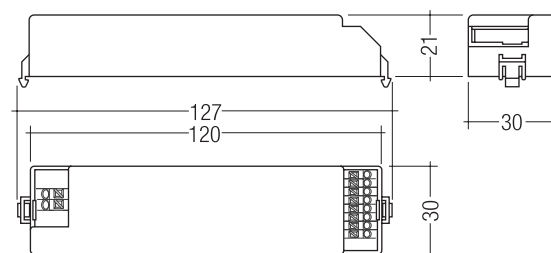
Screw-fix



Clip-fix



Screw-fix



Clip-fix

Technical data

Rated supply voltage	220 – 240 V
Mains frequency	50 / 60 Hz
Forward voltage range LED module (1 x LED)	2.8 – 3.4 V
Forward voltage range LED module (2 x LED)	5.6 – 6.8 V
Mains current, 1 W device	30 mA
Mains current, 2 W device	40 mA
Power in mains operation, 1 W device	3.5 W
Power in mains operation, 2 W device	5 W
Time to light	0.31 s from detection of emergency event
Overvoltage protection	320 V (for 1 h)
Battery discharge current	See page 4
Max. casing temperature t_c	70 °C
Ambient temperature t_a	-25 ... +50 °C
Mains voltage changeover threshold	according to EN 60598-2-22
Type of protection	IP20

Ordering data

Type	Article number	Packaging, carton	Packaging, pallet	Weight per pc.	Max. number of LED	Power
Screw fastening version						
EM powerLED 1 W ST	89899860	25 pc(s).	600 pc(s).	0.101 kg	1	1.2 W
EM powerLED 2 W ST	89899861	25 pc(s).	600 pc(s).	0.101 kg	2	2.0 W
Clip fastening version						
EM powerLED 1 W ST	89899867	25 pc(s).	600 pc(s).	0.101 kg	1	1.2 W
EM powerLED 2 W ST	89899868	25 pc(s).	600 pc(s).	0.101 kg	2	2.0 W

Specific technical data

Typ	Rated duration	Typ. λ (at 230 V, 50 Hz) [Ⓢ]	Mains current in charging operation [Ⓢ]			Mains power in charging operation [Ⓢ]		
			Initial charge	Fast recharge	Trickle charge	Initial charge	Fast recharge	Trickle charge
EM powerLED 1 W ST	1 h	0.52	15.4 mA	17.9 mA	13.9 mA	1.3 W	1.6 W	1.1 W
EM powerLED 1 W ST	2 h	0.52	14.2 mA	17.6 mA	11.8 mA	1.1 W	1.6 W	0.8 W
EM powerLED 1 W ST	3 h	0.52	14.2 mA	17.6 mA	11.8 mA	1.1 W	1.6 W	0.8 W
EM powerLED 2 W ST	1 h	0.57	14.3 mA	17.3 mA	11.7 mA	1.1 W	1.6 W	0.8 W
EM powerLED 2 W ST	2 h	0.57	15.7 mA	20.4 mA	12.8 mA	1.4 W	2.0 W	0.9 W
EM powerLED 2 W ST	3 h	0.57	18.4 mA	23.3 mA	14.5 mA	1.7 W	2.4 W	1.2 W

[Ⓢ] Maintained operation

[Ⓢ] Non-maintained operation

Test switch EM2

Product description

- For connection to the emergency lighting unit
- For checking the device function



Ordering data

Type	Article number	Packaging, bag	Packaging, carton	Weight per pc.
Test switch EM 2	89805277	25 pc(s).	600 pc(s).	0.011 kg

Status indication bi-colour LED

Product description

- Two-colour status display LED
- Green: system OK, red: fault



Ordering data

Type	Article number	Packaging, bag	Packaging, carton	Weight per pc.
LED EM bi-colour	89899720	25 pc(s).	200 pc(s).	0.017 kg
LED EM bi-colour, high brightness	89899753	25 pc(s).	800 pc(s).	0.013 kg

Battery selection

EM powerLED 1-2 W ST, 1 / 2 / 3 h

		Type	EM powerLED 1 W ST			EM powerLED 2 W ST					
		Article no.	89899860, 89899867			89899861, 89899868					
		Duration	1 h	2 h	3 h	1 h	2 h	3 h			
		Cells	2 cells	3 cells	3 cells	3 cells	4 cells	5 cells			
Technology and Design capacity	Number of cells	Type	Article no.						Assignable batteries		
NiMH 2Ah Cs cells	stick	1 x 2 Accu-NiMH C 2A	89899755	•							
	stick	1 x 3 Accu-NiMH C 3A	89899744		•	•	•				
	stick	1 x 4 Accu-NiMH C 4A	89899700					•			
	stick	1 x 5 Accu-NiMH C 5A	89899703								•
	side by side	5 x 1 Accu-NiMH C 5B	89899704								•

Battery charge / discharge data

EM powerLED 1-2 W ST, 1 / 2 / 3 h

		Type	EM powerLED 1 W ST			EM powerLED 2 W ST		
		Article no.	89899860, 89899867			89899861, 89899868		
		Duration	1 h	2 h	3 h	1 h	2 h	3 h
		Cells	2 cells	3 cells	3 cells	3 cells	4 cells	5 cells
Battery charge time	Initial charge							20 h
	Fast recharge							12 h
	Trickle charge							continuously
Charge current	Initial charge							125 mA
	Fast recharge							210 mA
	Trickle charge							50 mA
Discharge current	1 x LED	790 mA	440 mA	440 mA	850 mA	610 mA	480 mA	
	2 x LED	—	—	—	830 mA	600 mA	480 mA	

LED current

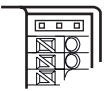


EM powerLED 1-2 W ST, 1 / 2 / 3 h

		Type	EM powerLED 1 W ST			EM powerLED 2 W ST		
		Article no.	89899860, 89899867			89899861, 89899868		
LED current in emergency operation	1 x LED					350 mA		
	2 x LED					600 mA		
LED current in mains operation	1 x LED					350 mA		
	2 x LED					350 mA		

Standards

- according to EN 50172
- according to EN 60598-2-22
- EN 61347-2-7
- EN 61347-2-13
- EN 62384
- EN 62034
- EN 55015
- EN 61000-3-2
- EN 61000-3-3
- EN 61547
- EN 60068-2-64
- EN 60068-2-29
- EN 60068-2-30

Duration link selection

Duration	Link Position
1 hr	 without jumper
2 hr	 position A
3 hr	 position B

Jumper selection

Module supplied with jumper in 3 hours position (position B).

The position of the link will only be read on first power up. If it is changed afterwards both the battery and mains supply must be disconnected for 10 seconds to enable the EM powerLED to read the new link position on reconnection of the battery and mains. It will lead to a false battery failure indication if the link is changed after installation without this reset.

Technical data Accu-NiMH

Case temperature range to ensure 4 years design life	2.0 Ah Cs	+5 °C to +45 °C
Battery voltage		1.2 V
Single cell dimensions		
2.0 Ah Cs		
Diameter		22 mm
Height		42.5 mm
Capacity		2.0 Ah
Max. short term temperature (reduced life-time)		70 °C
Max. number discharge cycles		4 cycles per year plus 4 cycles during commissioning
Packing quantity		5 pcs. per carton

Storage, installation and commissioning

Relevant information about storage conditions, installation and commissioning are provided in the battery datasheets.

Batteries

Connection method: 4.8 x 0.5 mm spade tag welded to end of cell

For stick packs this connection is accessible after the battery caps have been fitted.

To inhibit inverter operation disconnect the batteries by removing the connector from the battery spade tag.

For battery data see separate data sheet.

Further technical data

The EM powerLED has a unique power regulation circuit; this is designed to limit the total power drawn from the battery in the event of using LED's with a forward voltage (V_f) higher than 3.4 V.

In such cases the unit will reduce the LED current in order to maintain an acceptable drain current from the battery and hence meet the required duration time. This feature enables the EM powerLED to have minimum battery count for a given range of LED's.

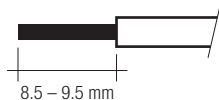
At a low charge state of the battery (<1.5V at the 1 W driver and <3V at the 2W driver) the LED will not be driven in maintained mode via the switched line until the rated battery voltage levels are exceeded.

Wiring type and cross section

Wiring

mains (SL, N, L)
LED (LED +, LED -)

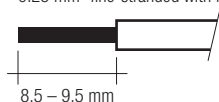
0.5 – 1.5 mm² solid or fine-stranded
0.5 – 1.0 mm² fine-stranded with ferrule



Wiring

batteries (Bat +, Bat -)
test switch (switch)
status indication LED (status K, A)

0.2 – 0.5 mm² solid or fine-stranded
0.25 mm² fine-stranded with ferrule



Use one wire for each terminal connector only.

Max. lead insulation diameter

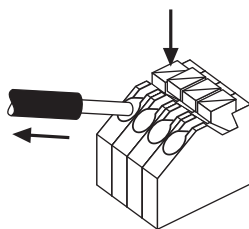
Battery	2.1 mm
Test switch	2.1 mm
Indicator LED	2.1 mm

Maximum lead length

LED	3 m
status indication LED	1 m
batteries	1 m

Release of the wiring

Press down the "push button" and remove the cable from front.

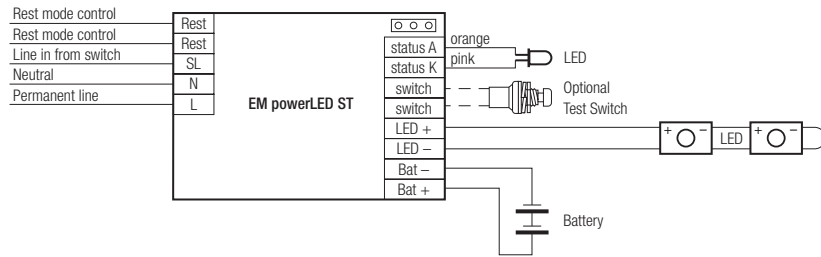


Maximum loading of automatic circuit breakers

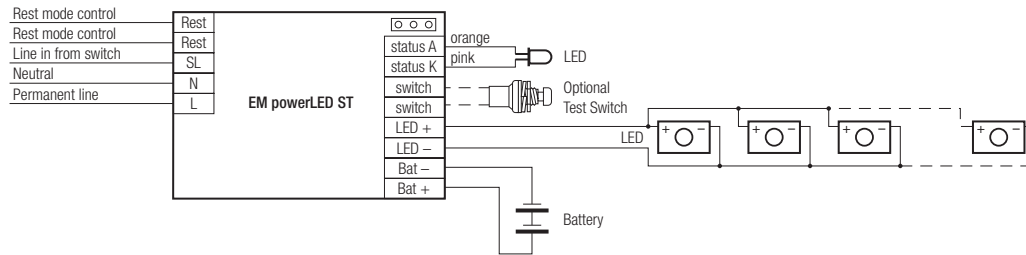
Automatic circuit breaker type	B10	B13	B16	B20	Inrush current	
					I_{max}	time
Installation Ø	1.5 mm ²	1.5 mm ²	2.5 mm ²	2.5 mm ²		
EM powerLED 1 W ST	90	130	130	130	10 A	120 µs
EM powerLED 2 W ST	90	130	130	130	10 A	120 µs

Wiring diagram

Wiring diagram for one LED or two LED in series



Wiring diagram for multiple LED (3–12) in parallel



Take care that the LED is connected with the right polarity. LED that are connected to the EM powerLED devices should have a reverse polarity protection device such as a schottky diodes fitted, otherwise irreversible damage could occur if the LED is connected in reverse polarity. Any protection device must be capable of handling in excess of 700 mA.

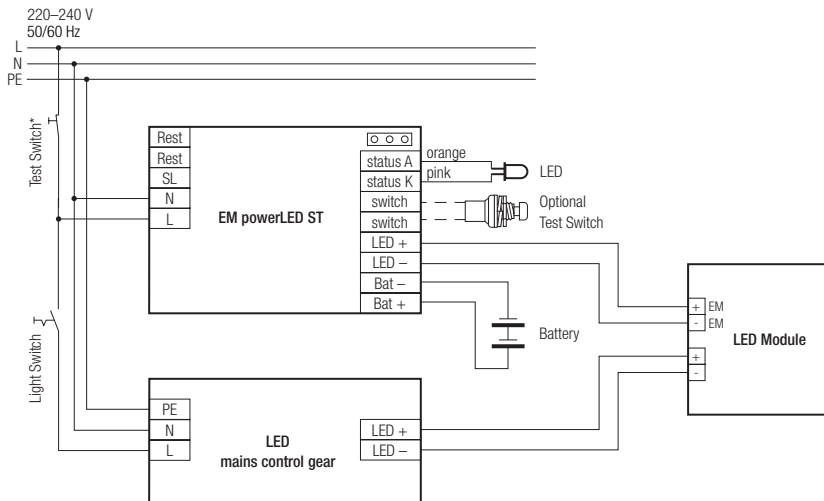
Note: Please ensure that at the terminal of the EM powerLED module the battery negative is not connected to the negative of the LED load.

Manually tested emergency lighting with combined LED modules for general and emergency lighting (e.g. STARK QLE CLASSIC EM, STARK LLE 24-280-1250 EM, STARK CLE CLASSIC EM, STARK SLE CLASSIC EM):

Due to the fact that independent circuits are used for general and emergency lighting it is important that the normal supply of the mains LED Driver is switched off together with the permanent emergency supply prior to checking the operation of the emergency LEDs.

If this is not done then it may not be possible to see that the emergency LEDs are operating.

Use a circuit similar to that shown next.



* Use 230 V Test switch

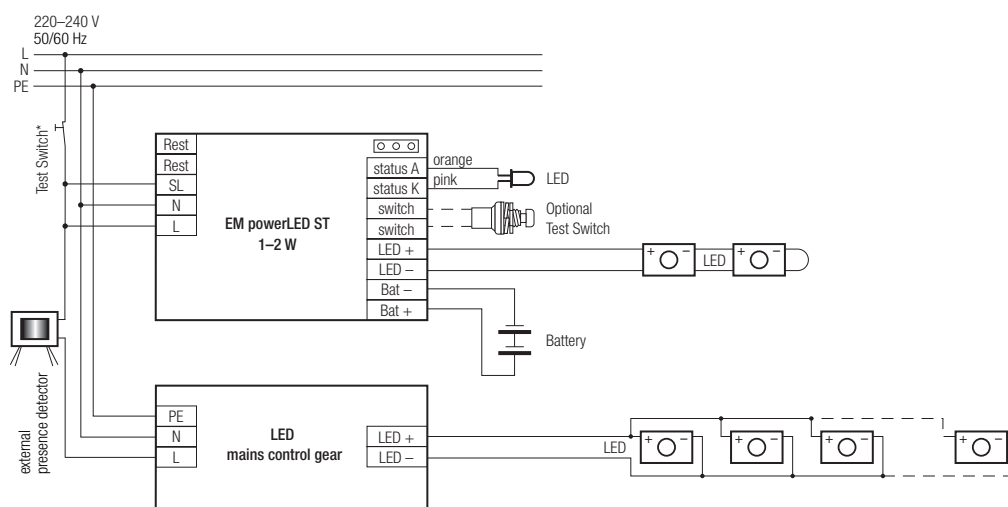
Simple CORRIDOR FUNCTION with EM powerLED 1–2 W

With the mains operation function of the EM powerLED 1–2 W a simple corridor function can be realised.

An external presence detector switches the mains LED Driver. The EM powerLED 1–2 W has the switched line SL connected to permanent mains supply.

On presence both mains LED Driver and EM powerLED 1–2 W are active and driving all LEDs. With no presence the mains LED Driver is switched off by the presence detector and the EM powerLED 1–2 W stays on operating the emergency LEDs at low power.

Use a circuit similar to that shown next.



Wiring instructions

- The powerLED terminals, battery, indicator LED and test switch terminals are classified as SELV. Keep the wiring of the DALI and the input terminals separated from the wiring of the SELV terminals or consider special wiring (double insulation, 6 mm creepage and clearance) when these connections should be kept SELV.
- The output to the LED is DC but has high frequency content at 125 kHz, which should be considered for good EMC compliance.
- powerLED leads should be separated from the mains and DALI connections and wiring for good EMC performance.
- Maximum lead length on the powerLED terminals is 3 m. For a good EMC performance keep the LED wiring as short as possible.
- Maximum lead length for the Test switch and Indicator LED connection is 1 m. The test switch and Indicator LED wiring should be separated from the powerLED leads to prevent noise coupling.
- Battery leads are specified with 0.5 mm² cross section and a length of < 1.3 m
- DALI terminals are mains proof.
- Switched live and unswitched live supplies must be off the same phase.

Additional information

Additional technical information at
www.tridonic.com → Technical Data

Guarantee conditions at
www.tridonic.com → Services

No warranty if device was opened.