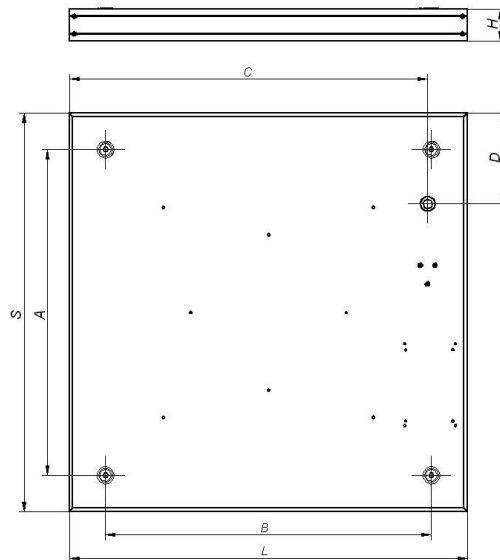




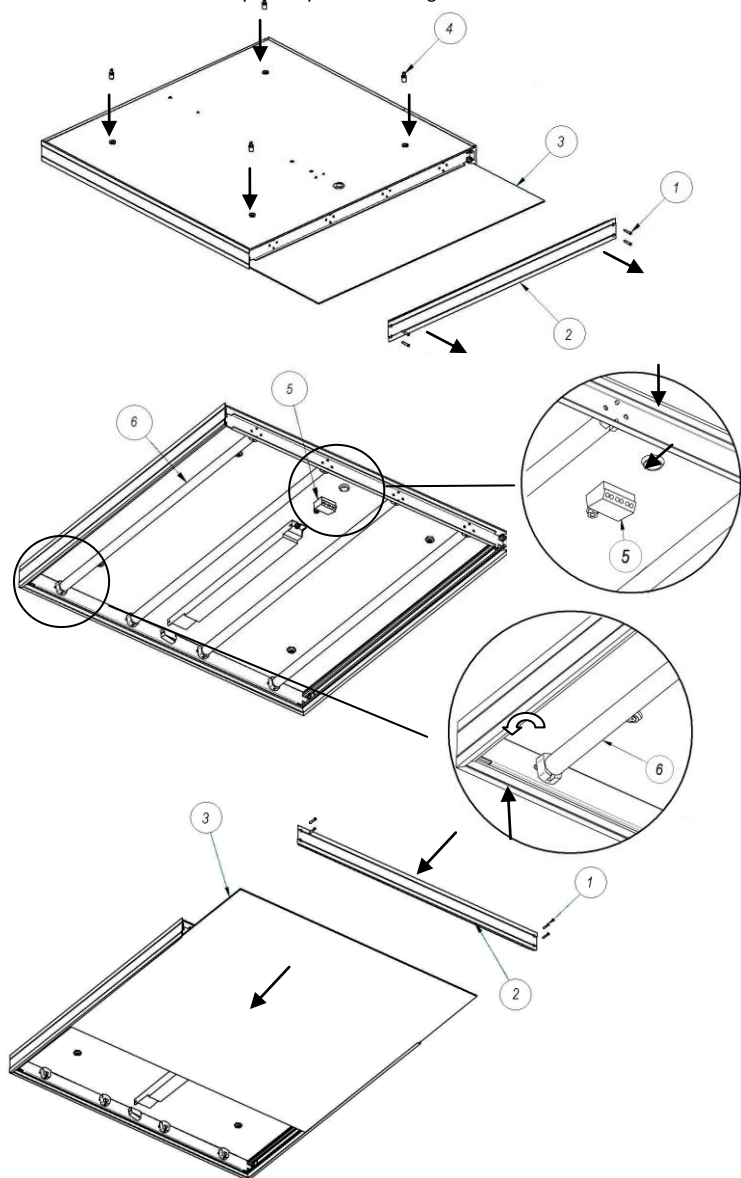
Installation manual
POP II



230V/50Hz T5, LED

Power	L [mm]	S [mm]	H [mm]	A [mm]	B [mm]	C [mm]	D [mm]	Waga [kg]
2x39W ceiling	900	100	45	54	594	680	s	3
2x39W suspension	900	100	45	60	280	680	s	3
2x54W ceiling	1200	220	45	105	805	830	s	5
2x54W suspension	1200	220	45	120	280	830	s	5
4x14W ceiling/suspen.	595	595	45	400	400	528	s	4,4
4x14W ceiling/suspen.	595	595	45	400	400	528	s	4,4
38W LED ceiling	550	550	45	450	450	495	s	3,9
40W LED ceiling	1050	250	45	190	920	220	s	4,2
50W LED ceiling	1300	250	45	190	1170	220	125	5,0

s - hole in the axis of symmetry of the housing



- carefully take the luminaire out of box and put in on a stable surface
- screw the four screws from the side of a luminaire (1) take the board off (2) and carefully take the plate out (3).
- screw the sleeves into the line regulators (4), available in the set with the luminaire (suspended luminaires).
- pull the feeding cable through the hole in the base of the luminaire and connect it as shown on a cube (5)
- install the luminaire to the ceiling with a 4 dowels (surface mounted luminaires)
- install the light sources (6) slip them into the sockets and turn by 90 degrees (doesn't apply to LED sources)
- put the plate back on its place (3), screw the board of a luminaire on (2) with four screws (1).

Important warnings:

The manufacturer cannot be considered liable for any damages deriving from improper, wrong and unreasonable use of the fitting.

Luminaires may be installed by qualified personnel only.

Any manipulation inside the luminaire when power supply is on causes the risk of electric shock.

Manufacturer is not responsible for any flaws caused by avoid using this manual.

Manufacturer reserves a right to change the construction of the product.

Do not assembly in places without air circulation.

To guarantee safety of luminaire functions, please assembly according to instruction.

The European Directive 2002/96/EC on waste electrical and electronic equipment, requires that electric and electronic devices must be disposed of in the normal household waste. The crossed out wheeled bin is reproduced in order to remember obligations towards separately collection. For correct disposal, please use authorized waste disposal facilities or returned to the distributor at the date a new lighting fitting is purchased. Lamps, if disposed together with the lighting fitting, shall not be broken up since they contain substances which are highly polluting for the environment. Unauthorized disposal of the foregoing waste material is punishable by law.