



Installation manual
Ray II

RAY II



IP20

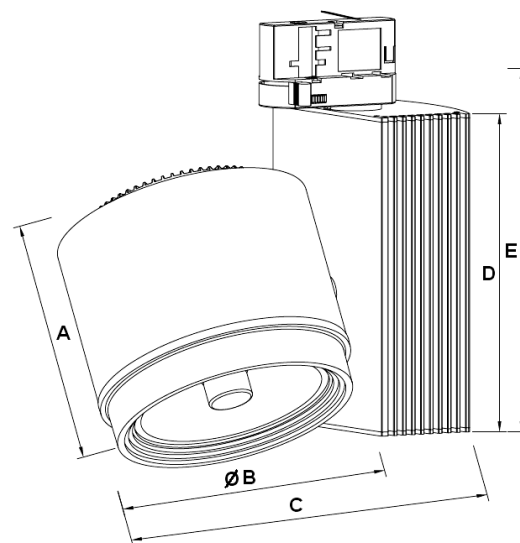


EL

230V/50HZ

1. Dimensions

Power [W]	Light source	A	B	C	D	E
35	HCI-T/G12/	139	100	167	154	170
70	HQI-T;HCI-T/G12/	139	100	167	154	170
150	HQI-T;HCI-T/G12/	139	100	167	168	185
35-100	H111/G53/	76	124	190	144	165
35	HCI-R111/CDM-R111/GX8.5/	112	124	190	154	170
70	HCI-R111/CDM-R111/GX8.5/	112	124	190	154	170
10	LED	120	100	167	154	170
10	LED	120	100	167	154	170



2. Installation:

- a) remove the luminaire carefully from packaging and put on the safety place (table or floor)
- b) using gloves, gently remove luminaire's ring of light source (except LED)
- c) insert light source (except LED)
- d) fix light source in ring using circle clip (H111)
- e) insert ring with light source into luminaire
- f) insert luminaire into the electrical track
- g) switches are used for choosing the appropriate phase and switching on/off the luminaire.



3. Important warnings:

Do not install the luminaires in areas without an exchange of air.
 The manufacturer cannot be considered liable for any damages deriving from improper, wrong and unreasonable use of the fitting.
 Luminaires may be installed by qualified personnel only.
 Any manipulation inside the luminary when power supply is on causes the risk of electric shock.
 Manufacturer is not responsible for any flaws resulting from not complying with recommendations included in this instruction manual.
 Manufacturer reserves a right to change the construction of the product.



The European Directive 2002/96/EC on waste electrical and electronic equipment, requires that electric and electronic devices must be disposed of in the normal household waste. The crossed out wheeled bin is reproduced in order to remember obligations towards separately collection. For correct disposal, please use authorized waste disposal facilities or returned to the distributor at the date a new lighting fitting is purchased. Lamps, if disposed together with the lighting fitting, shall not be broken up since they contain substances which are highly polluting for the environment. Unauthorized disposal of the foregoing waste material is punishable by law.

