

Installation manual
Square



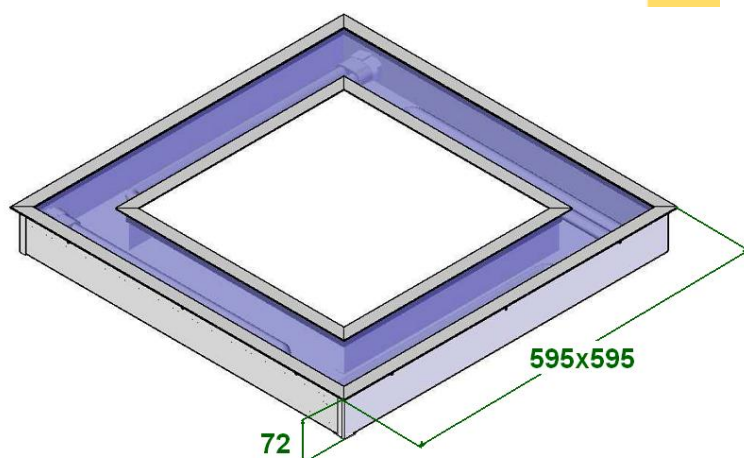
Square



230V/50HZ T5, TL

1. Sizes and weights

Power	Weight(kg)
4x14/24W	4,5
4x36W	4,8

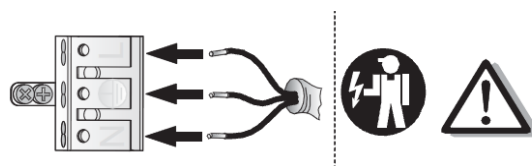


2. Assembly

- a) remove carefully luminaire from packaging and put in safe (floor or table);
- b) screw off the frame with opal or prism plate using the gloves and carefully take it out from luminaire

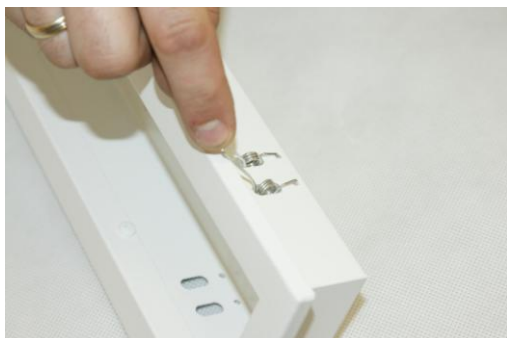
c) power connection

- take the power wire through the hole at the base of luminaire
- connect wires according to signs at power cube



d) assembly of the luminaire to the ceiling (example Linea):

- springs should be placed with endings in the holes, to make them going through elongated holes
- springs should be blocked with metal elements in T-shape, inside the luminaire
- angle the springs and put the luminaire to the ceiling



Dimensions of the assembly hole: **585x585mm**

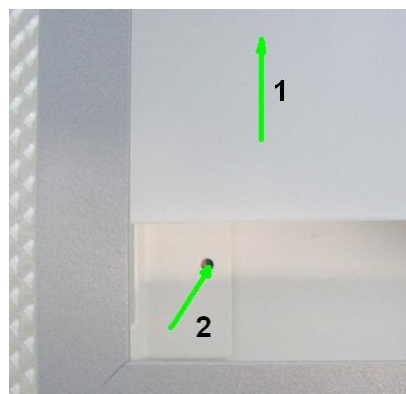
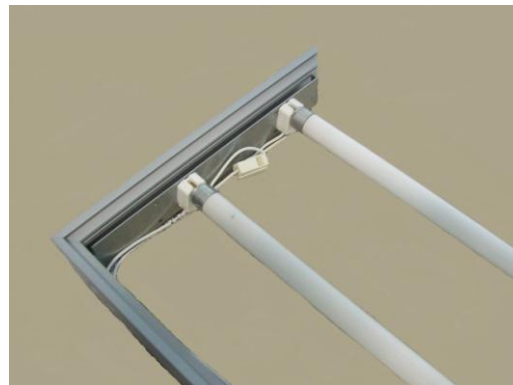
e) fluorescent lamp assembly:

- lamps with the correct power place in the luminaire, softly push in sockets;
- rotate along fluorescent lamp 90°;

f) place ceiling plate of dimension 376x376 mm inside the frame with plate

g) screw the frame to the base of luminaire

- remove the square plate to inside of the luminaire and screw to the both holes at inside frame
- then remove the plate to opposite direction and screw at the next side
- put the plate in final position



3. Important warnings:

The manufacturer cannot be considered liable for any damages deriving from improper, wrong and unreasonable use of the fitting.

Luminaries may be installed by qualified personnel only.

Any manipulation inside the luminaire when power supply is on causes the risk of electric shock.

Manufacturer is not responsible for any flaws caused by avoid using this manual.

Manufacturer reserves a right to change the construction of the product.

Do not assembly in places without air circulation.

To guarantee safety of luminaire functions, please assembly according to instruction.



The European Directive 2002/96/EC on waste electrical and electronic equipment, requires that electric and electronic devices must be disposed of in the normal household waste. The crossed out wheeled bin is reproduced in order to remember obligations towards separately collection. For correct disposal, please use authorized waste disposal facilities or returned to the distributor at the date a new lighting fitting is purchased. Lamps, if disposed together with the lighting fitting, shall not be broken up since they contain substances which are highly polluting for the environment. Unauthorized disposal of the foregoing waste material is punishable by law. More details of directive available at: <http://www.gios.gov.pl>

