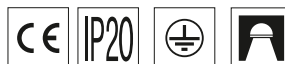




## Ray



Two axis adjustable floodlight of small size for halogen, metal halide. The diversity of light sources allows the selection of suitable light distribution.

**Materials:** powder painted aluminum housing (standard color: grey), aluminum reflector, transparent tempered glass

**Installation:** for electrical track, ceiling mounted, wall mounted

**Power:** 230 V

### ELECTRICAL DATA

Number of light sources	1
Voltage rating	230 V

### MECHANICAL DATA

Housing material	Aluminum
------------------	----------

### INFROMATIONS

Color	Grey
-------	------

### CERTIFICATES

Degree of protection (IP)	IP20
Class of protection	I
Light source protection	Yes
CE	Yes

### LIGHT DATA

Light distribution	DI
--------------------	----

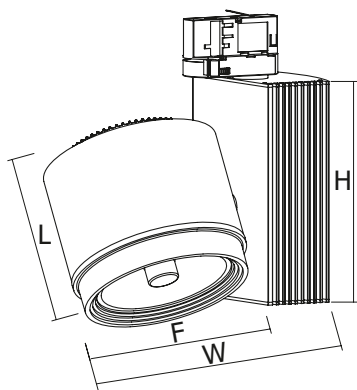
### OPTICAL DATA

Louver/shutter	SH
Diffuser color	None
Diffuser material	Transparent glass
Reflector	High gloss

### MATERIALS

Product code	Light source	Lamp holder	Light source power [W]	Lamp power for multiwat version	Type of equipment	Type of installation	Electrical track connection	Info	Energy class	We [L]
PX1012101	HCI-R111	GX8,5	1×35	-	EVG	Universal mounting	Yes	Szynoprzewód	B	1
PX1012115	HCI-R111	GX8,5	1×70	-	EVG	Universal mounting	Yes	Szynoprzewód	B	1
PX1012195	HCI-T	G12	1×35	-	EVG	Universal mounting	Yes	Szynoprzewód	A+	1
PX1012201	HCI-T	G12	1×70	-	EVG	Universal mounting	Yes	Szynoprzewód	A+	1
PX1012215	HCI-T	G12	1×150	-	EVG	Universal mounting	Yes	Szynoprzewód	A+	1
PX1012301	QR111	G53	-	1×35-75 W	Electronic transformer	Universal mounting	Yes	Szynoprzewód	-	1
PX1012401	HCI-R111	GX8,5	1×35	-	EVG	Ceiling mounted	No	Baza sufitowa	B	1

Product code	Light source	Lamp holder	Light source power [W]	Lamp power for multiwat version	Type of equipment	Type of installation	Electrical track connection	Info	Energy class	Weight [kg]
PX1012415	HCI-R111	GX8,5	1×70	-	EVG	Ceiling mounted	No	Baza sufitowa	B	1
PX1012495	HCI-T	G12	1×35	-	EVG	Ceiling mounted	No	Baza sufitowa	A+	1
PX1012501	HCI-T	G12	1×70	-	EVG	Ceiling mounted	No	Baza sufitowa	A+	1
PX1012515	HCI-T	G12	1×150	-	EVG	Ceiling mounted	No	Baza sufitowa	A+	1
PX1012601	QR111	G53	-	1×35-75 W	Electronic transformer	Ceiling mounted	No	Baza sufitowa	-	1



## DIMENSIONS

Product code	L [mm]	W [mm]	H [mm]	F [mm]
PX1012101	112	190	152	124
PX1012115	112	190	152	124
PX1012195	139	168	152	100
PX1012201	139	168	152	100
PX1012215	139	168	162	100
PX1012301	76	190	142	124
PX1012401	112	190	152	124
PX1012415	112	190	152	124
PX1012495	139	168	152	100
PX1012501	139	168	152	100
PX1012515	139	168	162	100
PX1012601	76	190	142	124

L = Length | W = Width | H = Height / Depth | F = Outer diameter