



Style



Easy and user friendly way to replace the fluorescent lamps (hinged frame).

Materials: powder painted aluminum housing and frame made of die cast aluminum (standard colors: white, black, grey), hammered aluminum reflector (SM and AS versions), polished (C version), transparent tempered glass

Installation: wall mounted, for the ground, pole mounted

Accessories: protective grid, anti glare shutter, wall bracket, regulated wall bracket, pole adapter

Power: 230 V

ELECTRICAL DATA

Number of light sources	1
Voltage rating	230 V

MECHANICAL DATA

Type of installation	Universal mounting
Housing material	Die cast aluminum

CERTIFICATES

Degree of protection (IP)	IP66
Impact resistance	IK10
Class of protection	I
Light source protection	Yes
CE	Yes

LIGHT DATA

Light distribution	DI
--------------------	----

OPTICAL DATA

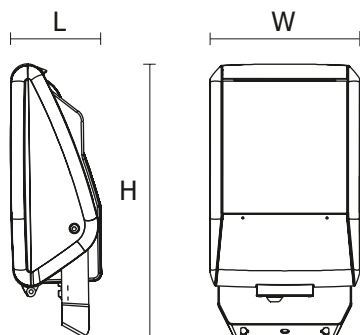
Louver/shutter	SH
Diffuser color	None
Diffuser material	Transparent glass

MATERIALS

Product code	Light source	Lamp holder	Light source power [W]	Type of equipment	Color	Energy class	Weight [kg]
CL200001.170	QT-DE	R7s	1×500	-	White	-	3.4
CL200002.170	QT-DE	R7s	1×500	-	Black	-	3.4
CL200003.170	QT-DE	R7s	1×500	-	Grey	-	3.4
CL200121.170	HIT-DE/HST-DE	RX7s	1×70	VVG	White	A	4.6
CL200122.170	HIT-DE/HST-DE	RX7s	1×70	VVG	Black	A	4.6
CL200123.170	HIT-DE/HST-DE	RX7s	1×70	VVG	Grey	A	4.6
CL200121.115	HIT-DE/HST-DE	RX7s	1×150	VVG	White	A	5.5
CL200122.115	HIT-DE/HST-DE	RX7s	1×150	VVG	Black	A	5.5
CL200123.115	HIT-DE/HST-DE	RX7s	1×150	VVG	Grey	A	5.5
CL208121.170	HIE/HSE	E27	1×70	VVG	White	A+	4.6
CL208122.170	HIE/HSE	E27	1×70	VVG	Black	A+	4.6
CL208123.170	HIE/HSE	E27	1×70	VVG	Grey	A+	4.6
CL208121.115	HIE	E27	1×150	VVG	White	A+	5.5
CL208122.115	HIE	E27	1×150	VVG	Black	A+	5.5
CL208123.115	HIE	E27	1×150	VVG	Grey	A+	5.5

Product code	Light source	Lamp holder	Light source power [W]	Type of equipment	Color	Energy class	Weight [kg]
CL206121.170	HIT	G12	1×70	VVG	White	A+	4.6
CL206122.170	HIT	G12	1×70	VVG	Black	A+	4.6
CL206123.170	HIT	G12	1×70	VVG	Grey	A+	4.6
CL206121.115	HIT	G12	1×150	VVG	White	A+	5.5
CL206122.115	HIT	G12	1×150	VVG	Black	A+	5.5
CL206123.115	HIT	G12	1×150	VVG	Grey	A+	5.5
CL202001.170	QT-DE	R7s	1×500	-	White	-	3.4
CL202002.170	QT-DE	R7s	1×500	-	Black	-	3.4
CL202003.170	QT-DE	R7s	1×500	-	Grey	-	3.4
CL202121.170	HIT-DE/HST-DE	RX7s	1×70	VVG	White	A	4.6
CL202122.170	HIT-DE/HST-DE	RX7s	1×70	VVG	Black	A	4.6
CL202123.170	HIT-DE/HST-DE	RX7s	1×70	VVG	Grey	A	4.6
CL202121.115	HIT-DE/HST-DE	RX7s	1×150	VVG	White	A	5.5
CL202122.115	HIT-DE/HST-DE	RX7s	1×150	VVG	Black	A	5.5
CL202123.115	HIT-DE/HST-DE	RX7s	1×150	VVG	Grey	A	5.5
CL204001.170	QT-DE	R7s	1×500	-	White	-	3.4
CL204002.170	QT-DE	R7s	1×500	-	Black	-	3.4
CL204003.170	QT-DE	R7s	1×500	-	Grey	-	3.4
CL204121.170	HIT-DE/HST-DE	RX7s	1×70	VVG	White	A	4.6
CL204122.170	HIT-DE/HST-DE	RX7s	1×70	VVG	Black	A	4.6
CL204123.170	HIT-DE/HST-DE	RX7s	1×70	VVG	Grey	A	4.6
CL204121.115	HIT-DE/HST-DE	RX7s	1×150	VVG	White	A	5.5
CL204122.115	HIT-DE/HST-DE	RX7s	1×150	VVG	Black	A	5.5
CL204123.115	HIT-DE/HST-DE	RX7s	1×150	VVG	Grey	A	5.5

DIMENSIONS



L [mm]	W [mm]	H [mm]
134.5	224	410

L = Length | W = Width | H = Height / Depth

ACCESSORIES

Diffusers



Style Protective grid

Installation elements



Style Wall bracket L=740mm



Style Pole adapter 40/60

Optical elements



Style Antiglare shutter
