

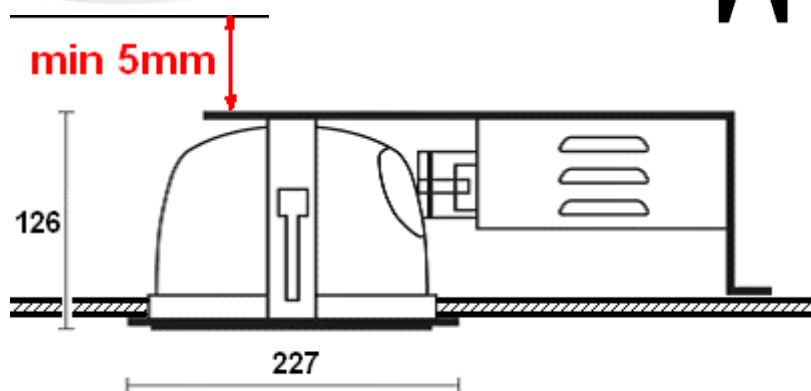
Installation manual  
Bari II DL 230



230V/50HZ

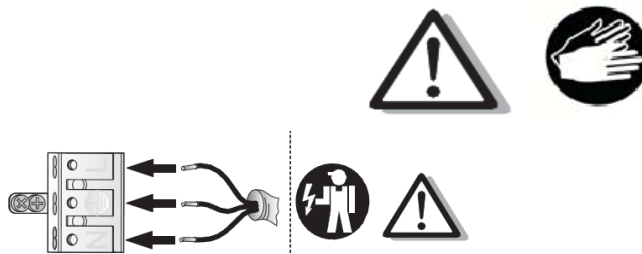
1. Power and weight

Power	Ballast	Weight(kg)
1x18/26W	VVG	1,4
2x18/26W	VVG	1,7
1x18/26W	EVG	1,3
2x18/26W	EVG	1,5
1x70/150W	EVG	1,5
MH 1x70W	VVG	2,7
MH 1x150W	VVG	3,6
1x32/2x32W	EVG	1,4



2. Assembly

- carefully take the luminaire from the packaging and put on safe surface (table, floor)
- turn the frame from luminaire and screw reflector off
- power connection
  - take power wire through the hole in the base of luminaire
  - connect wires according to power cube's scheme
- assembly the luminaire at the ceiling with springs
- screw the reflector and assembly lamps
- in case of IP44 mounting, assembly IP44 glass, which assures tightness at the side of plate (in MH and LED versions frame is in standard set)



3. Important warnings:

The manufacturer cannot be considered liable for any damages deriving from improper, wrong and unreasonable use of the fitting.  
Luminaires may be installed by qualified personnel only.  
Any manipulation inside the luminaire when power supply is on causes the risk of electric shock.  
Manufacturer is not responsible for any flaws caused by avoid using this manual.  
Manufacturer reserves a right to change the construction of the product.  
Do not assembly in places without air circulation.  
To guarantee safety of luminaire functions, please assembly according to instruction.



The European Directive 2002/96/EC on waste electrical and electronic equipment, requires that electric and electronic devices must be disposed of in the normal household waste. The crossed out wheeled bin is reproduced in order to remember obligations towards separately collection. For correct disposal, please use authorized waste disposal facilities or returned to the distributor at the date a new lighting fitting is purchased. Lamps, if disposed together with the lighting fitting, shall not be broken up since they contain substances which are highly polluting for the environment. Unauthorized disposal of the foregoing waste material is punishable by law. More details of directive available at: <http://www.gios.gov.pl>

